

## EVERT B/S OTTOMAN

KING BED

ASSEMBLE INSTRUCTION

2 PEOPLE REQUIRED

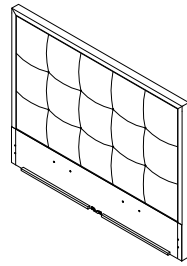
Please take time to read these instructions and familiarize yourself with all the components that make up your new bedstead.

Please retain this leaflet for future reference.

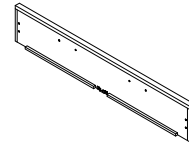
### WARNING !!!

THIS PRODUCT CONTAINS SMALL PARTS AND PACKAGING THAT SHOULD BE KEPT AWAY AND OUT OF REACH FROM ALL CHILDREN.

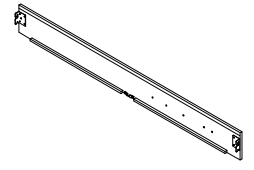
## EQUIPMENT CHECK



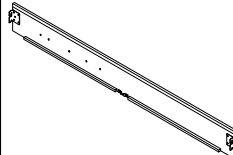
A- HEADBOARD X 1



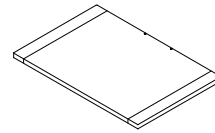
B- FOOTBOARD X 1



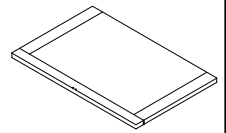
C- SIDE RAIL (L) X 1



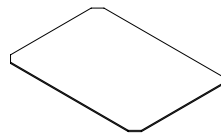
D- SIDE RAIL (R) X 1



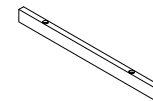
E- FRONT LIFT BASE X 1



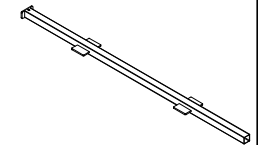
F- BACK LIFT BASE X 1



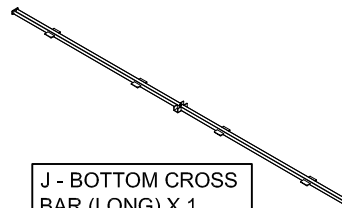
G - BASE PANEL X 4



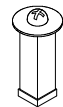
H - MATTRESS SUPPORT RAIL X 1



I - BOTTOM CROSS BAR (SHORT) X 2



J - BOTTOM CROSS BAR (LONG) X 1



K - CENTER SUPPORT LEG X 1

- A. This Lift Mechanism provide assistance with the lift of the mattress fitted to the base - it does not lift the mattress for you.  
The system has been designed to effectively lift the base system fitted with a variety of mattress weights and combinations of depth.  
Depending on the combination of mattress weight and depth determines the degree of assistance provided by the mechanism.
- B. Following installation of the mechanism lift / pull the base up and down a few times to free off the system - the gas cylinders fitted to the system may be stiff when first used or if the system has not been operated for a period of time .The mattress must be fitted to the base.
- C. Use the strap handle to lift up the mattress base using two hands - Pull the mattress base down using two hands equally spaced from the centre of the mattress base. **DO NOT** pull down on one side of the base only as this is likely to damage the base system with potential failure of the mattress base system and lift mechanism. **Do not operate the lift up mechanism without the mattress fitted to the base.**

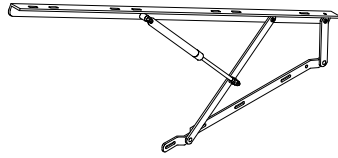
### CAUTION :

- Do not allow children to operate the lift Mechanism.
- Do not allow children near the lift base when operating the Mechanism.
- Do not allow children in the area of the internal storage base.
- Keep hands clear of the mechanism when operating the base system.
- Do not stand inside the bed / on the internal storage base.
- Do not overload the internal storage base.
- Maintain the storage base panel supports in the centre position below each storage base.

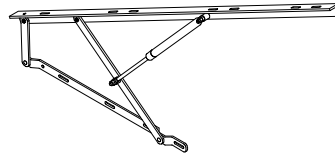
# EQUIPMENT CHECK



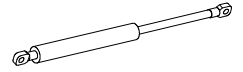
L - STRAP HANDLE X 1



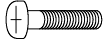
M - LIFT UP MECHANISM (LEFT) X 1



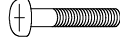
N - LIFT UP MECHANISM (LEFT) X 1



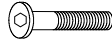
O - GAS CYLINDER X 2



P - PAN HEAD SCREW (M8 X 25mm) X 10



Q - PAN HEAD SCREW (M8 X 50mm) X 10



R - ALLEN HEAD SCREW (M6 X 20mm) X 2



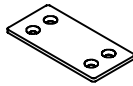
S - FLAT WASHER (M6 X 16mm) X 2



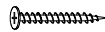
T - FLAT WASHER (M8 X 18mm) X 10



U - NYLON NUT X 4



V - METAL PLATE X 2



W - RATTAN SCREW (#8 X 1") X 8



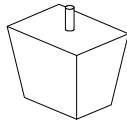
X - ALLEN KEY M4 X 1



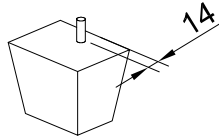
Y - SPANNER X 1



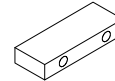
Z - SCREWDRIVER X 1



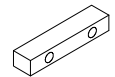
AA - HEADBOARD LEG X 2



AB - FOOTBOARD LEG X 2



AC - SUPPORT BLOCK (25 X 60 X 200mm(L) X 2



AD - SUPPORT BLOCK (25 X 40 X 200mm(L) X 2

## 1- ATTACH FOOT TO HEADBOARD & FOOTBOARD

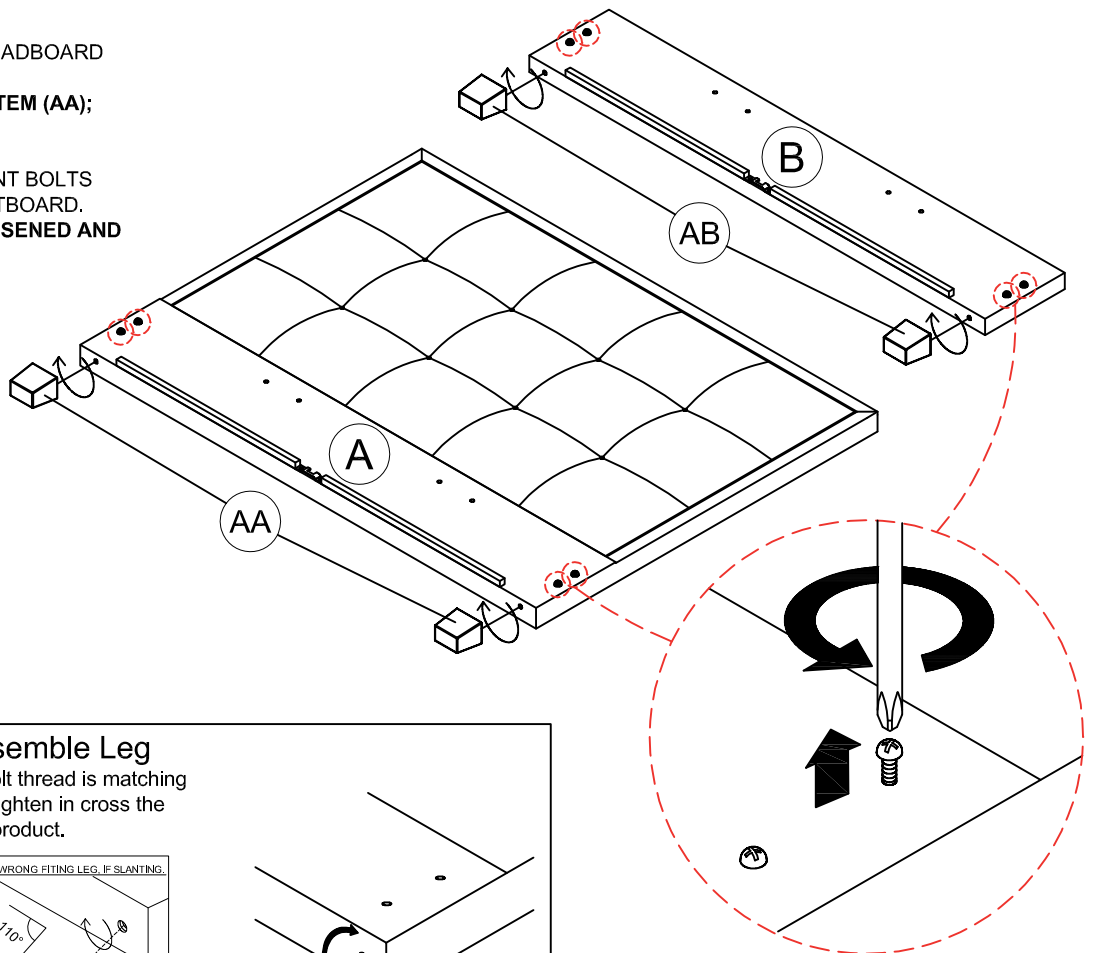
CAREFULLY UNPACK ALL ITEMS FROM THE CARTONS.

INSERT THE LEG INTO THE HEADBOARD AND FOOTBOARD AS SHOWN.

**REMARK: HEADBOARD USE ITEM (AA); FOOTBOARD USE ITEM (AB).**

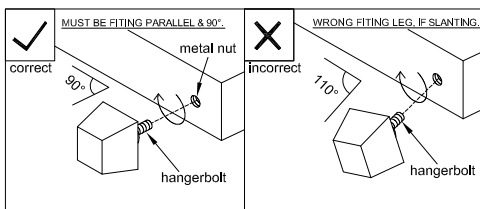
LOOSE SIDE RAIL ATTACHMENT BOLTS FROM HEADBOARD AND FOOTBOARD.

**REMARK: JUST ONLY BE LOOSENED AND NOT REMOVED THE BOLTS.**



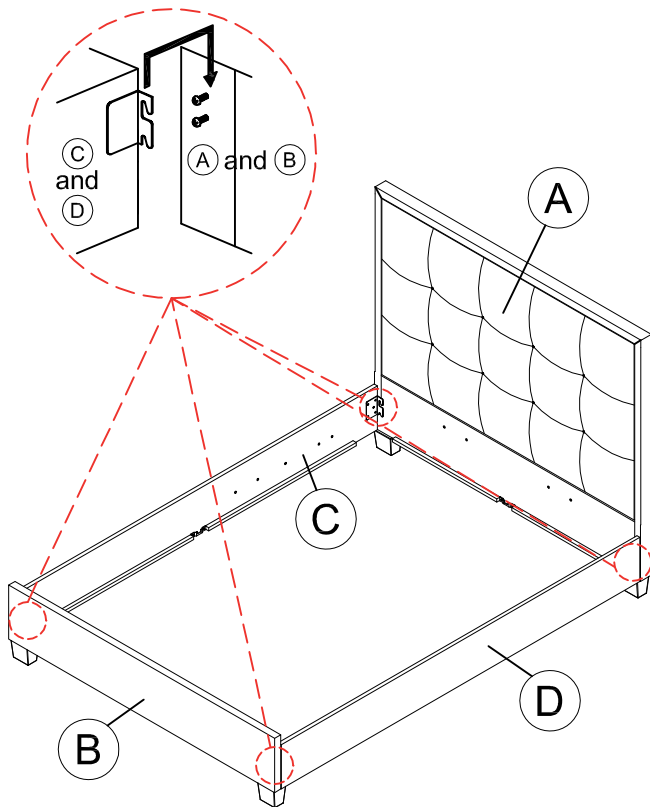
### Special Note : For Assemble Leg

Please make sure the hanger bolt thread is matching with the metal nut. Do not over-tighten in cross the thread as this may damage the product.



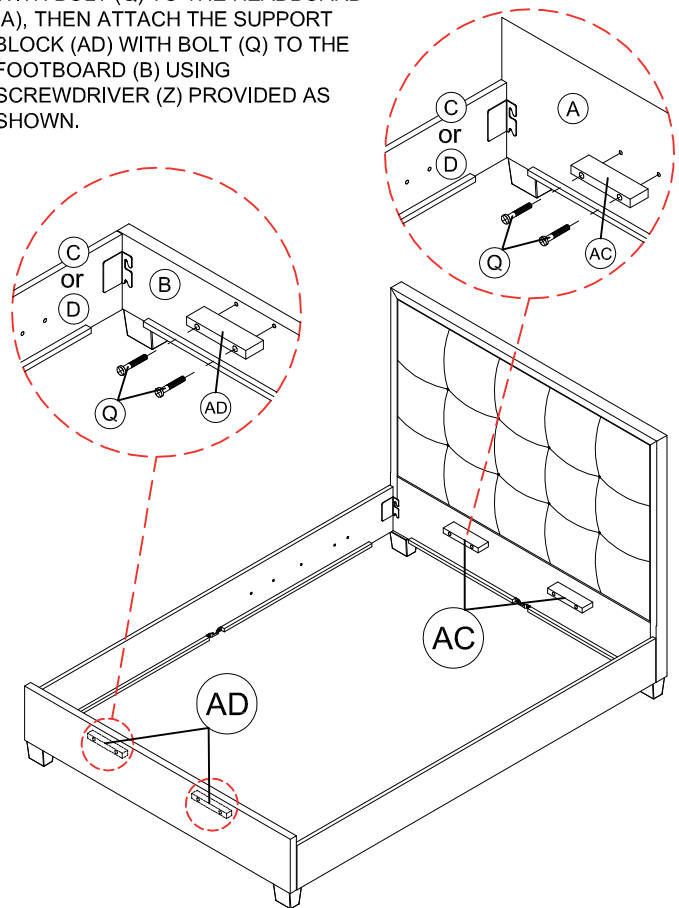
**2- ATTACH SIDE RAIL TO HEADBOARD & FOOTBOARD**

HOOK THE SIDE RAIL OVER THE BOLTS IN THE HEADBOARD AND FOOTBOARD AS SHOWN.



**3- ATTACH THE SUPPORT BLOCK TO HEADBOARD & FOOTBOARD**

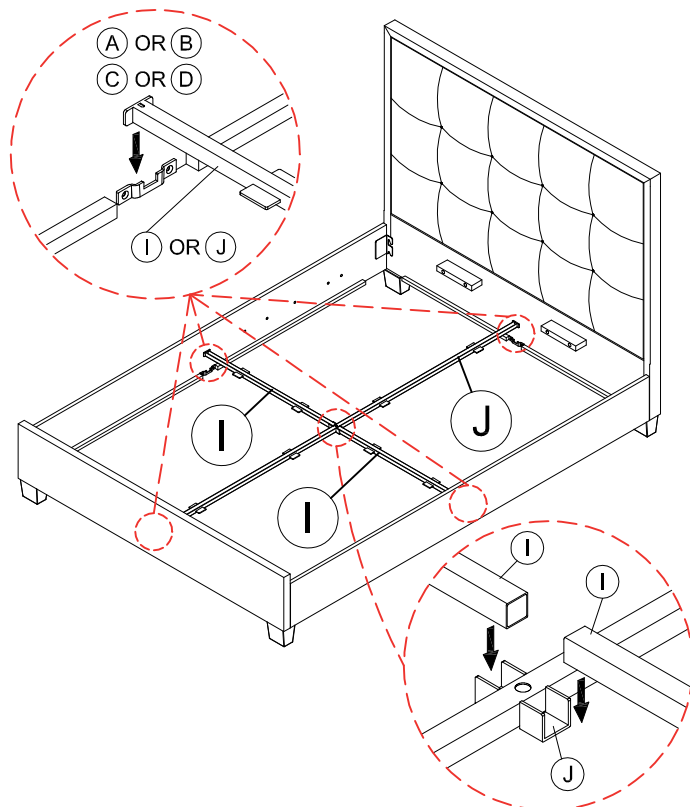
ATTACH THE SUPPORT BLOCK (AC) WITH BOLT (Q) TO THE HEADBOARD (A), THEN ATTACH THE SUPPORT BLOCK (AD) WITH BOLT (Q) TO THE FOOTBOARD (B) USING SCREWDRIVER (Z) PROVIDED AS SHOWN.



**4- ATTACH BOTTOM CROSS BAR TO THE HEADBOARD, FOOTBOARD & SIDE RAIL**

HOOK THE BOTTOM CROSS BAR (LONG) (J) TO THE HEADBOARD (A) & FOOTBOARD (B) AS SHOWN.

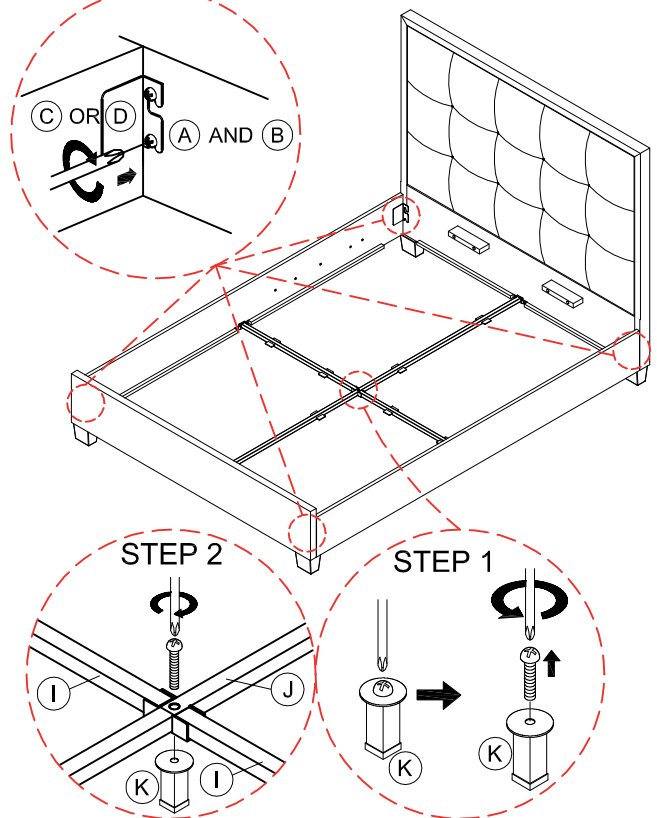
HOOK THE BOTTOM CROSS BAR (SHORT) (I) TO THE SIDE RAIL (C) & (D) AND TO THE CENTER OF BOTTOM CROSS BAR (LONG) (J) AS SHOWN.



**5- ATTACH CENTER SUPPORT LEG TO THE CENTER OF BOTTOM CROSS BAR**

TIGHTEN ALL THE BOLTS IN HEADBOARD (A), FOOTBOARD (B) AND SIDE RAIL (C) & (D) AS SHOWN.

THEN TAKE OUT THE BOLT FROM CENTER SUPPORT LEG (K) & ASSEMBLE TO THE CENTER OF BOTTOM CROSS BAR AS SHOWN.

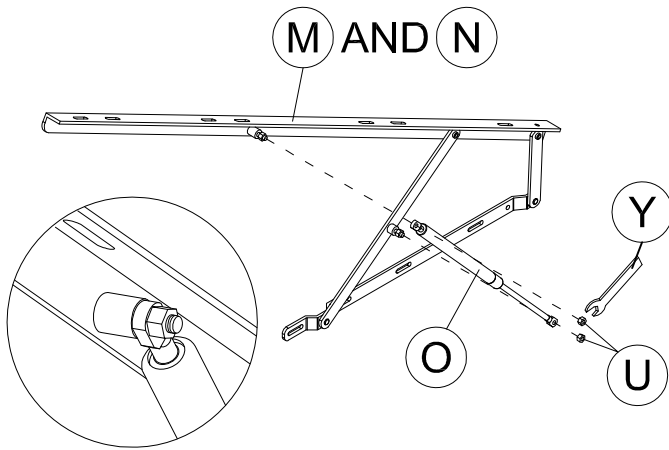


6- ATTACH GAS CYLINDER TO THE LIFT UP MECHANISM

FIX THE GAS CYLINDER (O) TO THE LIFT UP MECHANISM WITH THE NYLON NUT (U) USING SPANNER (Y) PROVIDED.

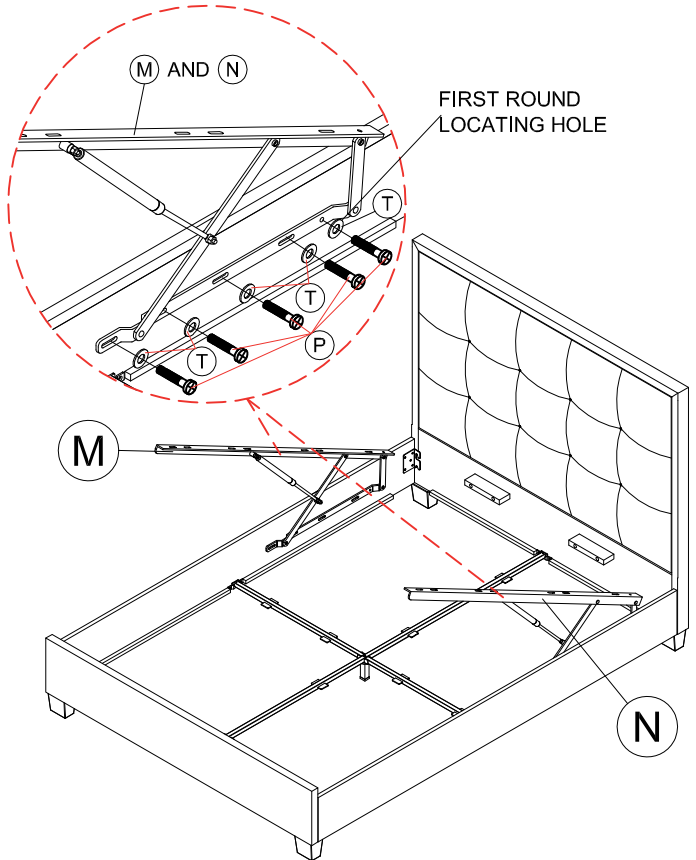
REPEAT THE SAME STEP FOR THE OTHER SIDE.

**NOTE : DO NOT OVER TIGHTEN THE NYLON NUT.**



7- ATTACH LIFT UP MECHANISM TO THE SIDE RAIL

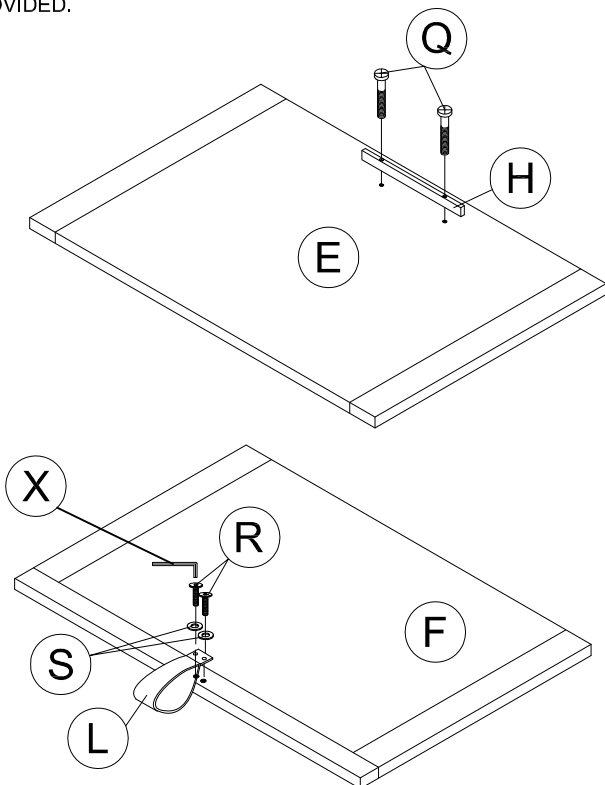
ATTACH THE LIFT UP MECHANISM (M) TO THE SIDE RAIL (C) AND LIFT UP MECHANISM (N) TO THE SIDE RAIL (D) WITH BOLT (P) & WASHER (T) AS SHOWN.



8- ATTACH MATTRESS SUPPORT RAIL TO FRONT LIFT BASE AND STRAP HANDLE TO BACK LIFT BASE

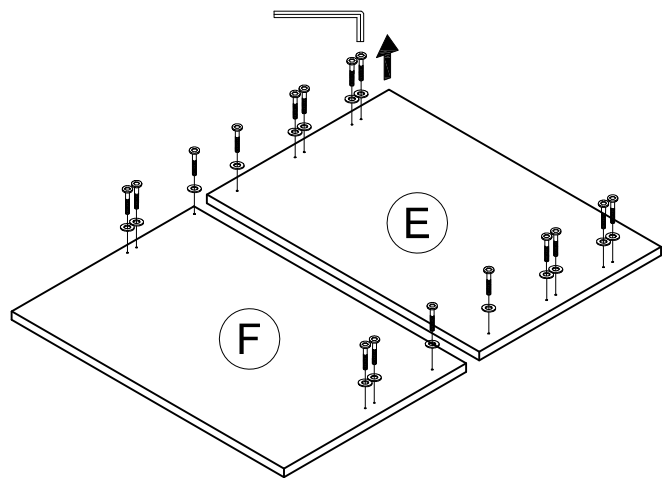
FIX THE MATTRESS SUPPORT RAIL (H) TO THE FRONT LIFT BASE (E) WITH SCREW (Q) USING SCREWDRIVER (Z) PROVIDED.

FIX THE STRAP HANDLE (L) TO THE BACK LIFT BASE (F) WITH FLAT WASHER (S) AND SCREW (R) USING ALLEN KEY (X) PROVIDED.



9- REMOVE ALL SCREW FROM FRONT & BACK LIFT BASE

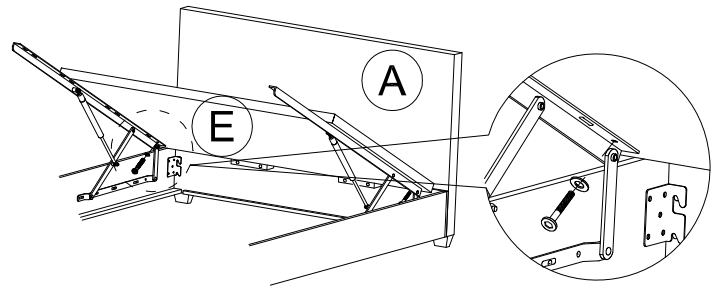
REMOVE ALL THE ALLEN HEAD SCREW AND FLAT WASHER FROM THE FRONT LIFT BASE AND BACK LIFT BASE USING ALLEN KEY, FOR NEXT STEP TO ASSEMBLE THE LIFT UP MECHANISM.



**10- ATTACH FRONT LIFT BASE TO LIFT UP MECHANISM**

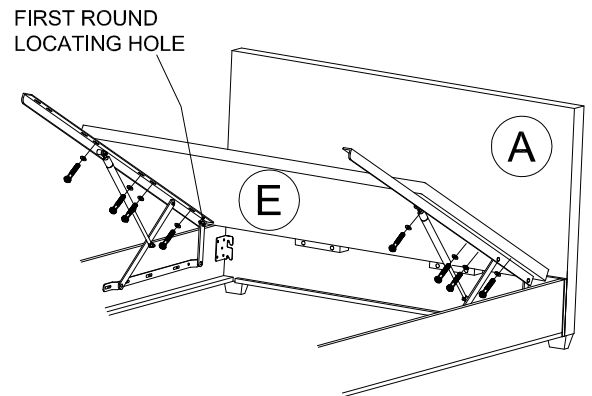
**STEP 1 (VIEW FROM UNDERNEATH THE BED)**

FIRST PUT THE FRONT LIFT BASE (E) ON THE TOP OF LIFT UP MECHANISM (M) & (N) THEN USE ALLEN HEAD SCREW AND FLAT WASHER TO SCREW THE FIRST HOLE LOOSELY FOR SAFETY AND TO PREVENT THE LIFT BASE FROM DROPPING DOWN.



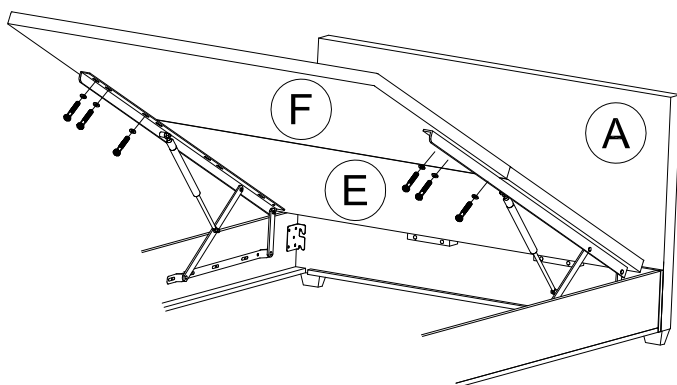
**STEP 2 (VIEW FROM UNDERNEATH THE BED)**

USE ALLEN HEAD SCREW AND FLAT WASHER TO TIGHTEN THE FIRST ROUND LOCATING HOLE AS SHOWN, AFTER THIS FULLY TIGHTEN ALL OTHERS SCREW AS SHOWN.



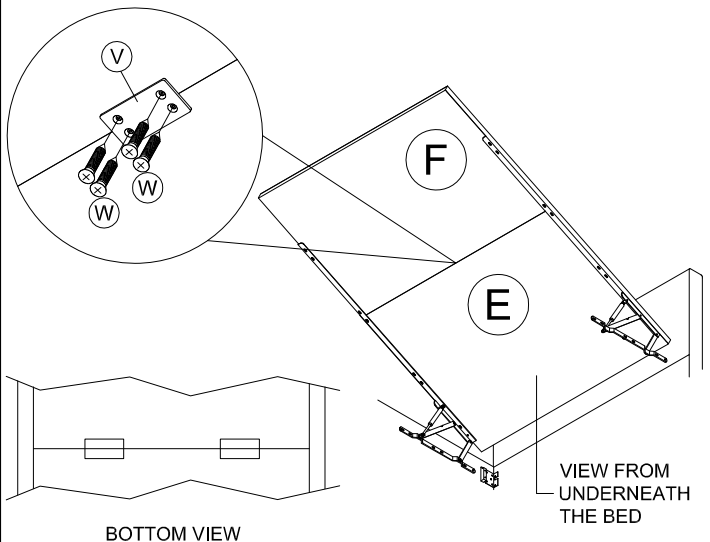
**11- ATTACH BACK LIFT BASE TO LIFT UP MECHANISM**

ATTACH THE BACK LIFT BASE (F) TO THE LIFT UP MECHANISM (M) & (N), FIX WITH ALLEN HEAD SCREW AND FLAT WASHER USE ALLEN KEY (X) PROVIDED AS SHOWN.



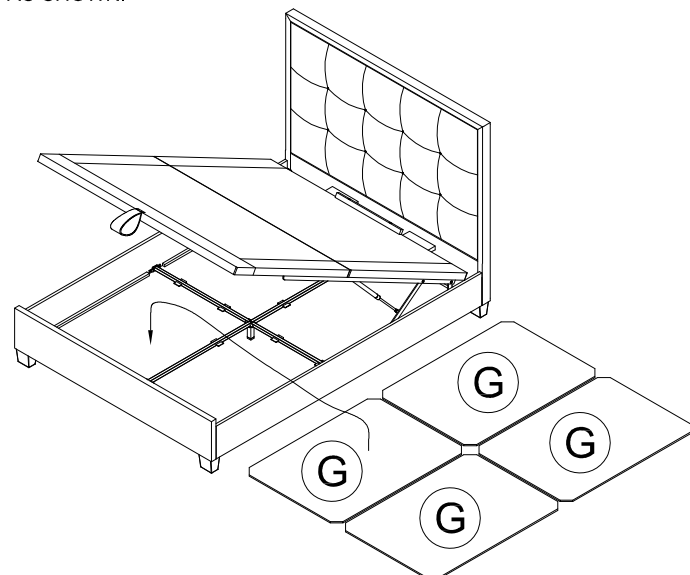
**12- ATTACH METAL PLATE TO BOTTOM OF LIFT BASE**

ATTACH THE METAL PLATE (V) TO THE BOTTOM OF LIFT BASE (E) & (F), FIX WITH RATTAN SCREW (W) USING SCREWDRIVER (Z) PROVIDED AS SHOWN.



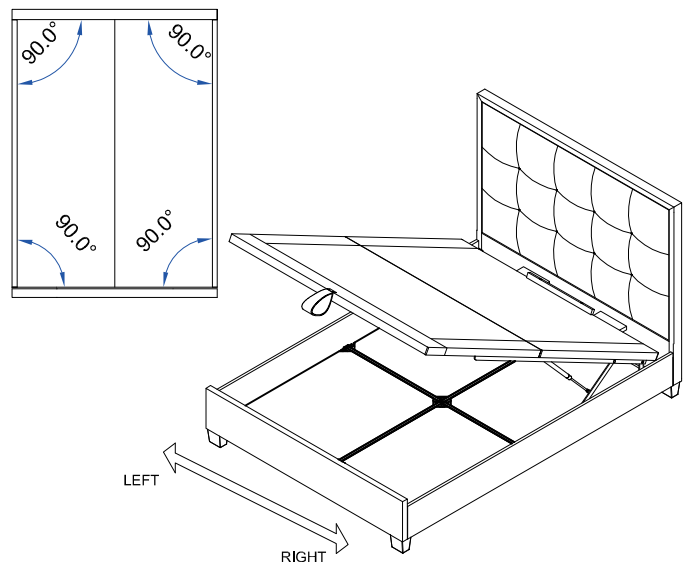
**13- PUT THE BASE PANELS ON THE BOTTOM CROSS BAR**

PUT THE BASE PANEL (G) ON THE BOTTOM CROSS BAR AS SHOWN.



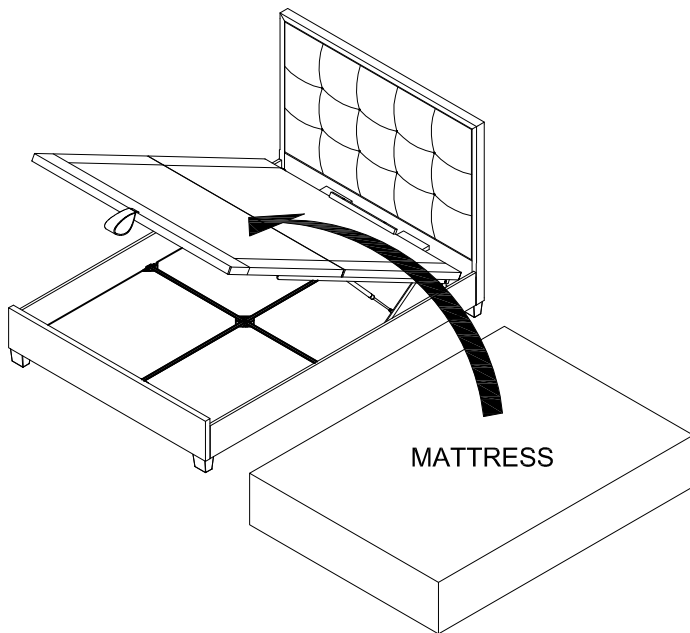
**14- MAKE SURE THE BED IS SQUARE AT 4 SIDE**

MAKE SURE THE BED FRAME 4 SIDE ANGLES ARE 90 DEGREE BEFORE YOU CLOSING THE LIFT BASE.



15- PUT THE MATTRESS ON THE BED

PUT THE MATTRESS ON THE BED AS SHOWN.

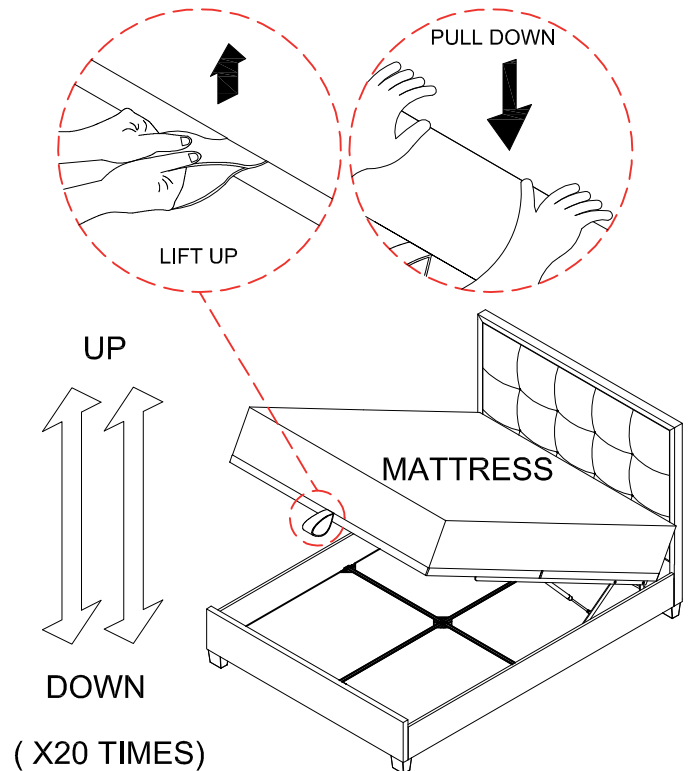


YOUR BED IS NOW READY FOR ITS MATTRESS.

16- MATTRESS MUST BE FITTED TO THE BED BEFORE OPERATE THE LIFT BASE

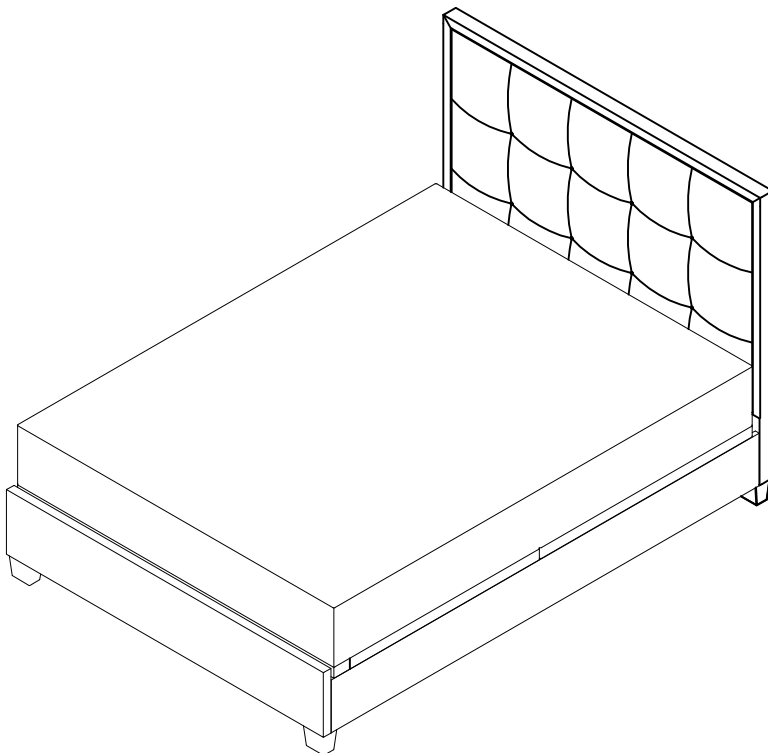
THE MATTRESS MUST BE FITTED TO THE BASE. **(DO NOT OPERATE THE LIFT UP MECHANISM WITHOUT THE MATTRESS FITTED TO THE BASE.)**

LIFT UP AND DOWN THE LIFT UP BASE WITH MATTRESS AT LEAST 20 TIMES BEFORE USE.



17- FINAL TOUCH

ENJOY YOUR PRODUCT.



PLEASE READ THE FOLLOWING INSTRUCTIONS.

1. KEEP AWAY FROM DIRECT SUNLIGHT TO AVOID DISCOLORATION.
2. DO NOT DRAG THE BED ACROSS THE FLOOR WHEN POSITIONING OR MOVING WHILST CLEANING.
3. TIGHTEN ALL SCREWS AT REGULAR INTERVALS, TO AVOID DAMAGE TO THE FRAME.
4. ENJOY YOUR PRODUCT.



## Care of your Dreams Furniture

Your new bed from Dreams is more than a beautiful piece of furniture. It's an investment in your health and wellbeing. Care for it well and you'll enjoy a great night's sleep for many years to come.

Should you have any issues with your product please contact our customer service team on 0844 292 0000

---

## On Delivery

Once your new bed is in place and all the packaging is removed, let it air for approximately 1 hour before putting on your mattress, mattress protector and bed linen.

Don't worry if your bed feels a little strange at first. It takes time for your body to adjust to a new level of support and comfort. You'll soon be enjoying a more relaxed sleep.

Please consider the surface your bed will be stood on. If your bed frame is to be stood on an uncarpeted surface please ensure that you use rubber backed mat under the legs to avoid slipping.

---

## Day to day Care

Check all bolts, screws and legs regularly to make sure they haven't loosened and tighten all joins of your furniture or bedstead after 6 months. Please keep these instructions in a safe place for further use.

Storage Drawers in Bedsteads are designed to carry lightweight items such as Pillows, duvets and linen. Please try to avoid storing heavier items such as books or toys.

---

## Returns

If you have bought a large item such as a bed or mattress which is damaged or faulty and would like to return it, we will be able to arrive at your home and take your item away. All we ask is that your item is in perfect condition and in its original packaging (you can open the packaging to inspect your item). Items will not be able to be returned if they are not in their original packaging.

For online and telesales orders, you can only return an item within 7 days from the date of your delivery.

---

Thank you for purchasing from

The logo for Dreams, featuring the word "Dreams" in a blue serif font with a pink swoosh underneath.

Dreams reserve the right to modify products, dimensions, parts and fixings without notification.



[www.dreams.co.uk](http://www.dreams.co.uk)



Need assistance?  
Call: 0844 292 0000