

PLEASE READ this sheet prior to assembly to familiarise yourself with the various stages of construction. Carefully open the pack supplied and check the contents against the parts and fittings check list.

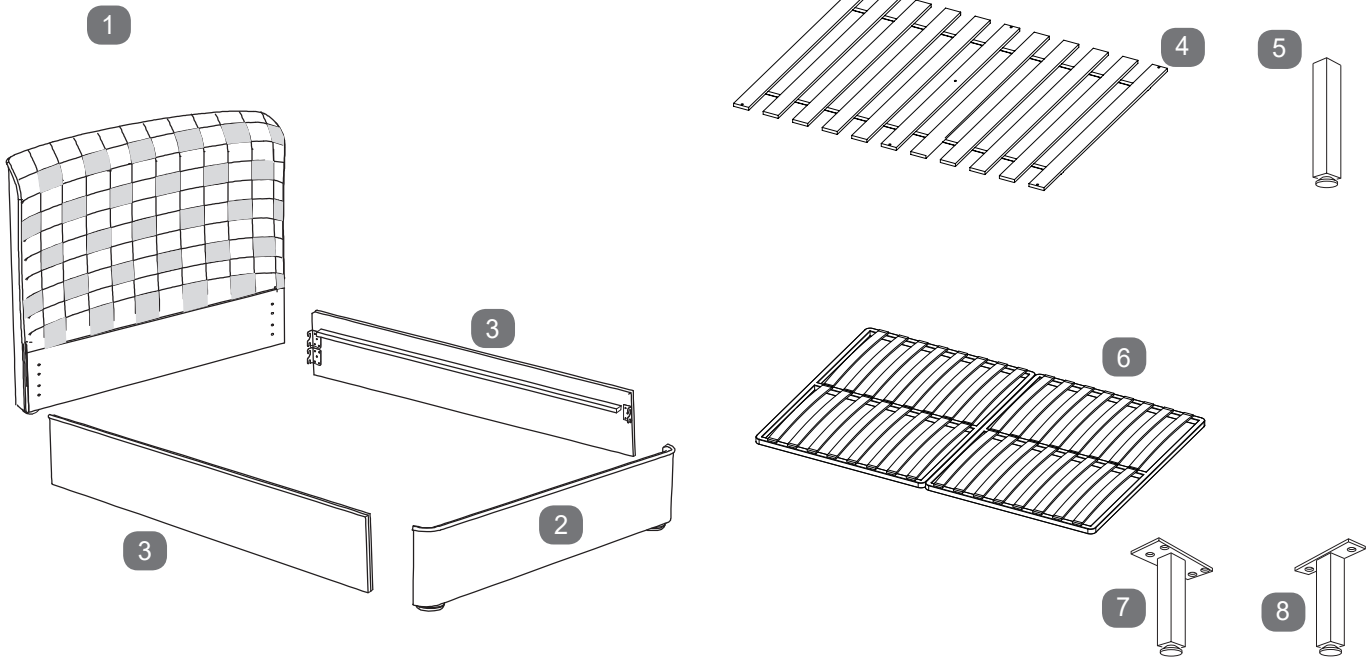
Do not destroy any of the packaging until you are certain that you have all the necessary parts for the assembly.

Please ensure that the packaging is disposed of in a safe environmentally friendly way.

CAUTION: There are small components used in the construction of this unit. These loose items should be kept away from young children during assembly, to avoid the danger of choking.

IMPORTANT: BEFORE STARTING TO ASSEMBLE THE BED - PLEASE READ THESE INSTRUCTIONS CAREFULLY

Parts Identification



Note:
Standard wooden slat set (part 4)
Upgraded sprung slat frame (part 6)

Parts Checklist

Ref.	Description	Qty	Ref.	Description	Qty
1	Headboard	1	6	*Upgraded Sprung Slat Frame*	1
2	Footboard	1	7	*Sprung Slat Frame Centre Support Leg*	1
3	Side Panels	2	8	*Sprung Slat Frame Support Legs*	2
4	Wooden Slat Set	1			
5	Wooden Slat Set Support Leg	1			

* Only supplied if upgraded sprung slat frame is chosen.
Legs (7&8) are only supplied with the sprung system.

Fittings Checklist

HARDWARE NEEDED FOR BED ASSEMBLY (PACK A)

Code	Description	Qty	Code	Description	Qty
A	Bolts (M8x30mm) for fitting side panels (3) to headboard & footboard (1&2).	x12	C	Flat Washers (for M8 bolt)	x12
B	Spring Washers (for M8 bolt)	x12	D	Allen Key (for M8 bolt)	x1

HARDWARE FOR FITTING WOOD SLATS OR UPGRADED SPRUNG SLAT FRAME (PACK B)

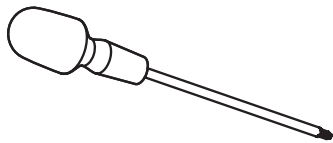
Code	Description	Qty	Code	Description	Qty
E	Bolts (M6x40mm) for fitting the wooden slat set (4) or the sprung slat frame (6) to side panels (3)	x6	H	Allen Key (for M6 bolt)	x1
F	Sleeve Nuts - M6	x6	U	Screw for Slat Support Leg (5) - 5mm	x1
G	Flat Washers (for M6 bolt & 5mm screw)	x7	V	Spring Washers (for M6 bolt)	x6

EXTRA HARDWARE NEEDED WHEN FITTING UPGRADED SPRUNG SLAT FRAME

Note: The following fittings will be found in the box which contains the upgraded metal frame itself.

P	Bolts (M6x15mm) for fitting support legs (7&8) to the sprung slat frame (6)	x8	7	Sprung slat frame centre support leg	x1
8	Sprung slat frame support legs	x2			

Additional Tools Required



Cross-head Screwdriver

Care & Maintenance

In the unlikely event of missing parts, please contact the customer service team on 03442 92 00 00.

When calling this number, please quote the part code reference numbers shown in this leaflet when requesting spare or replacement parts.

General Hints & Tips



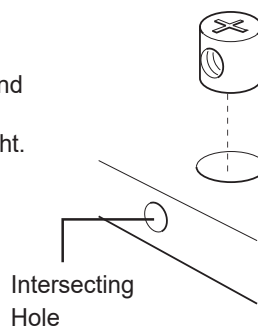
Please retain your assembly instruction and tools provided for future use. Periodically check that all bolts are still tight.

This assembly requires two persons.



3/4 HOUR

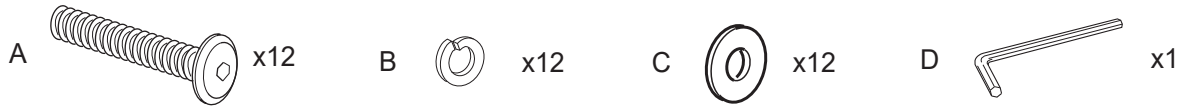
Approximate time to assemble this product



When they are supplied and are part of the assembly of this bed, ensure that the barrel nuts are fitted the correct way so the hole in the nut is facing towards the intersecting hole in the panel.

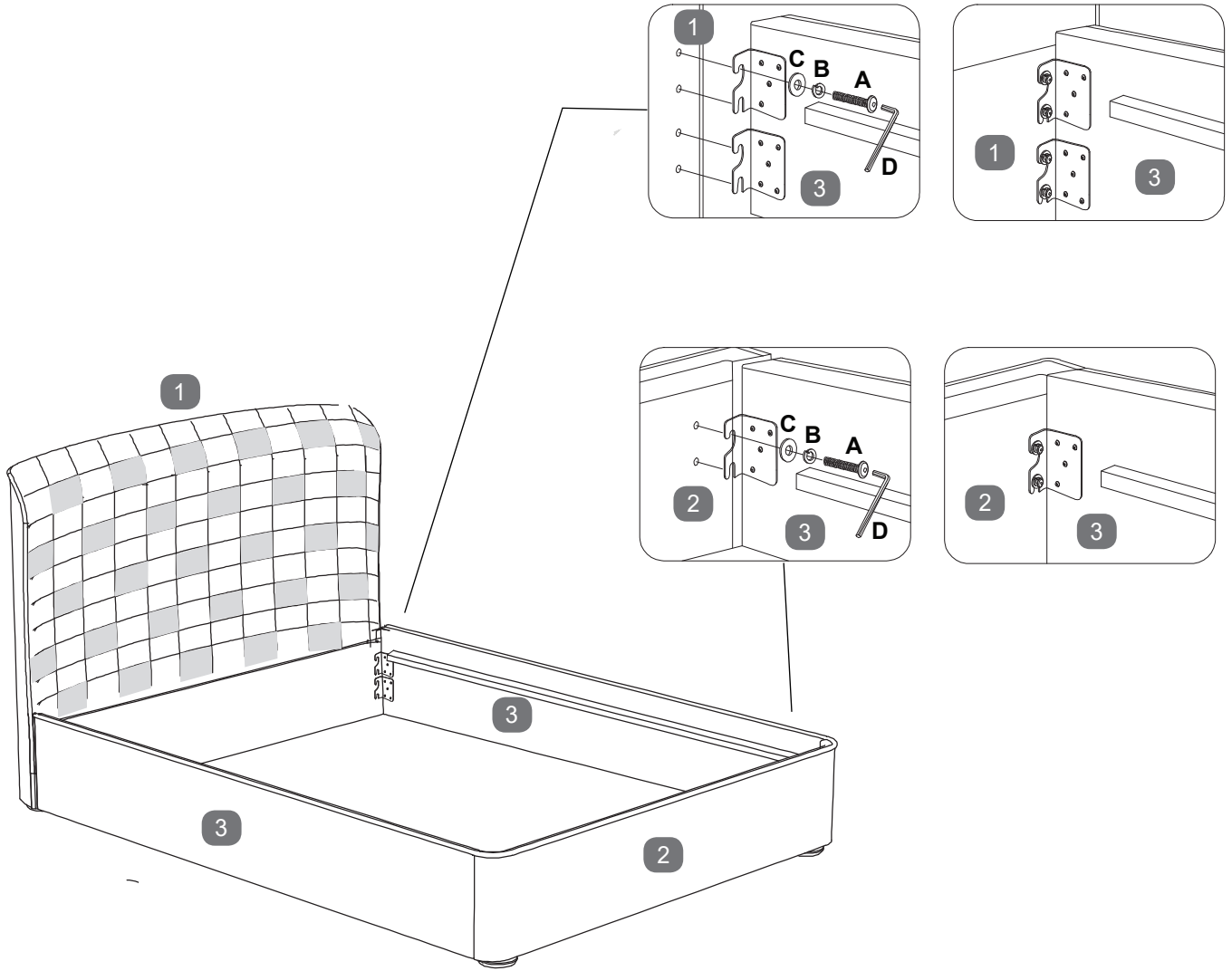
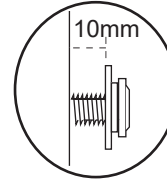
We recommend the bed is assembled in the room it shall be located in.

Stage
1

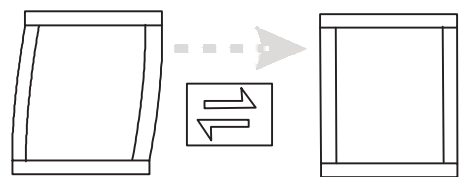


Loosely insert four bolts (A) with spring washers (B) & flat washers (C) into each side of headboard & footboard (1&2).

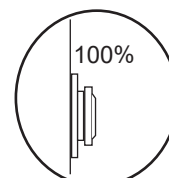
Note: Do not tighten fully but leave 10mm protruding as in the diagram



MAKE CERTAIN THE BED IS SQUARED UP, AS SHOWN IN THE DIAGRAM.

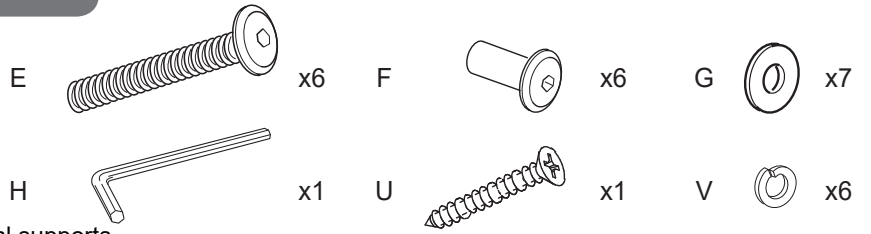


Once all four corners are located, make sure the bed is square as in the sketch, then tighten all the bolts 100% using Allen key (D).



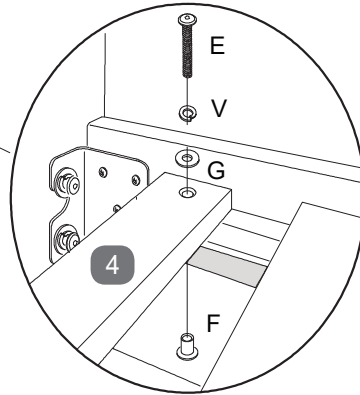
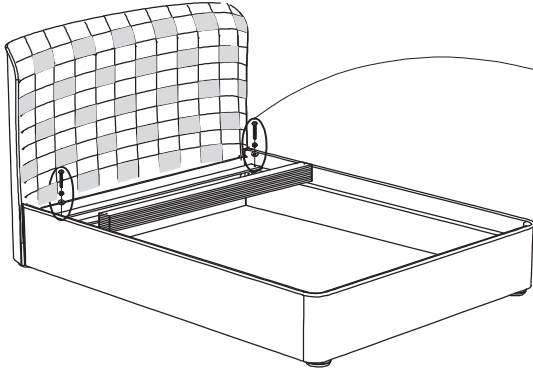
Fitting Wooden Slats - Use Pack 'B'

Stage
2a



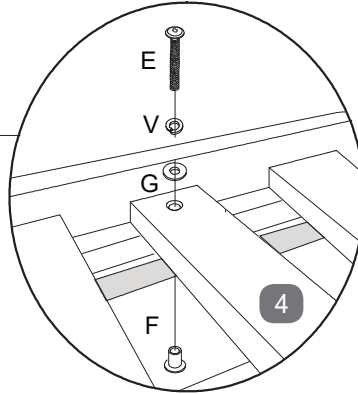
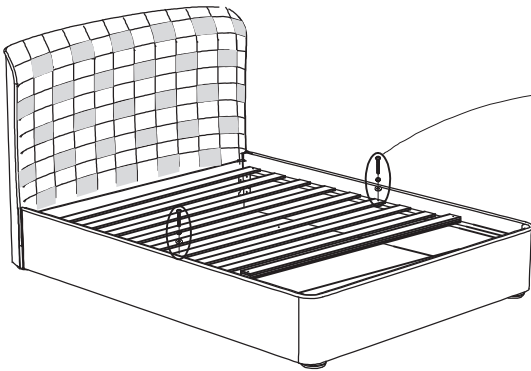
Carefully lay wooden slat set (4) on the metal supports

i: on each side panel.



Using two bolts (E) with spring washers (V), flat washers (G) and sleeve nuts (F) fix one slat next to headboard.

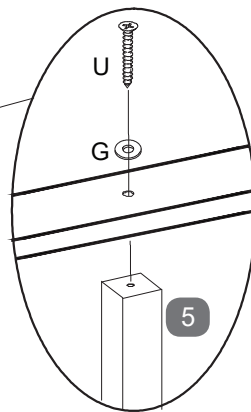
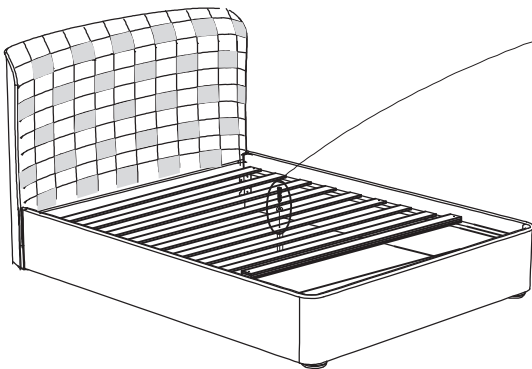
ii:



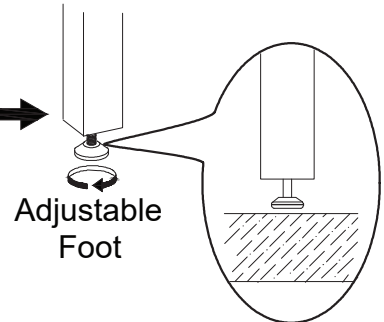
Roll out wooden slats just over half way down the bed and using two more bolt sets, loosely bolt the central slat into position - align slats and fix all four bolt sets 100% by Allen key (H).

iii:

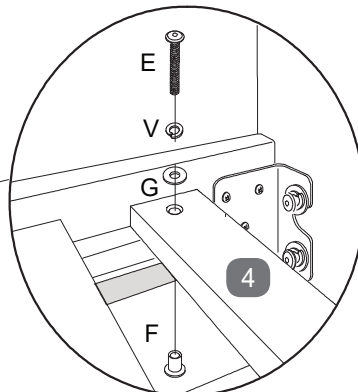
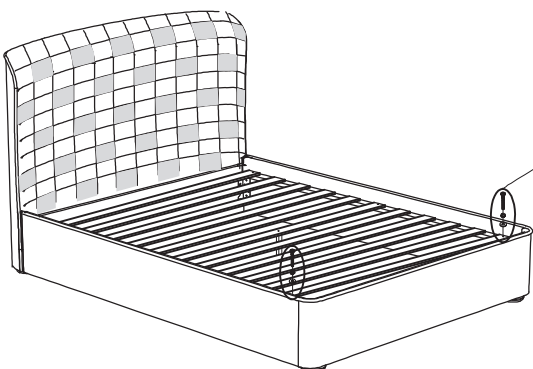
Fit centre slat with the support leg (5) using screw (U) and flat washer (G). Fully tighten using a cross-head screwdriver.



Carefully turn adjustable foot clockwise until it just touches the floor and slat is horizontal.



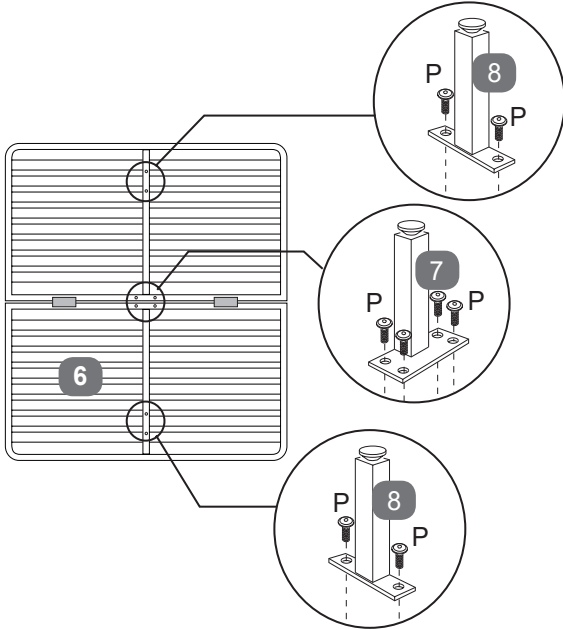
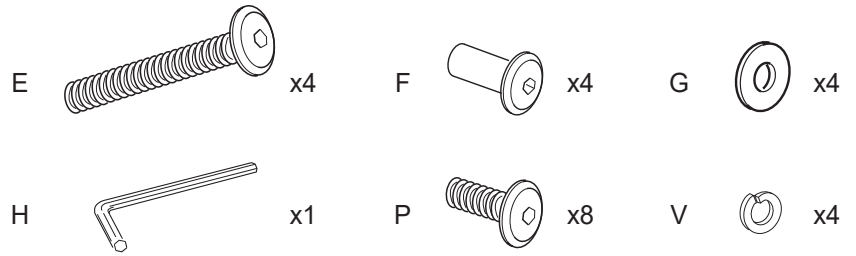
iv:



Roll out rest of wooden slats and fix with last two bolt sets fully tighten using Allen key (H).

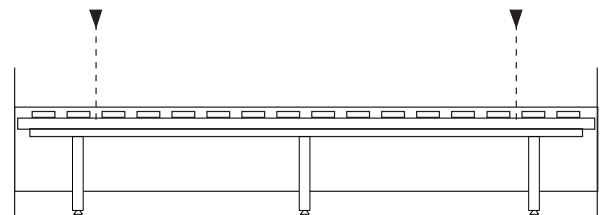
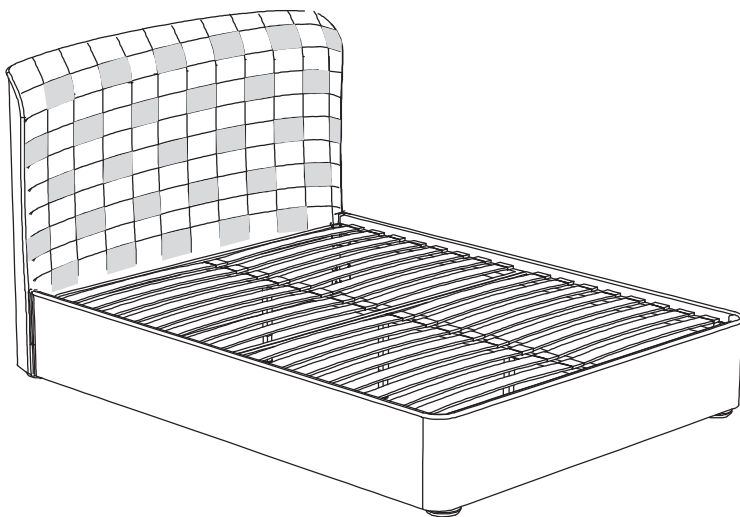
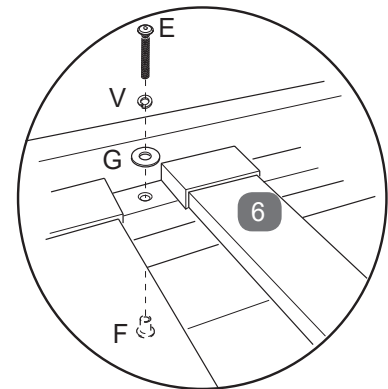
Fitting Upgraded Sprung Slat Frame - Use Pack 'B'

Stage
2b



Open the sprung slat frame and lay face down on the working surface. Fit the support legs (7 & 8) to the positions shown, securing with the bolts (P). Fully tighten using Allen key (H).

Carefully turn the slat frame over and position onto the metal slat supports on each side panel. Align the frame with the fixing holes at each end and secure using four sets of bolts (E), spring washers (V), flat washers (G) and sleeve-nuts (F). When all in place tighten using Allen key (H).



Finally, please check carefully that all bolts are fully tightened before the bed is used.