



SMALL DOUBLE(Solid slats)
(Sprung slats)
 DOUBLE (Solid slats)
 (Sprung slats)
 KING (Solid slats)
(Sprung slats)

CLARK BED

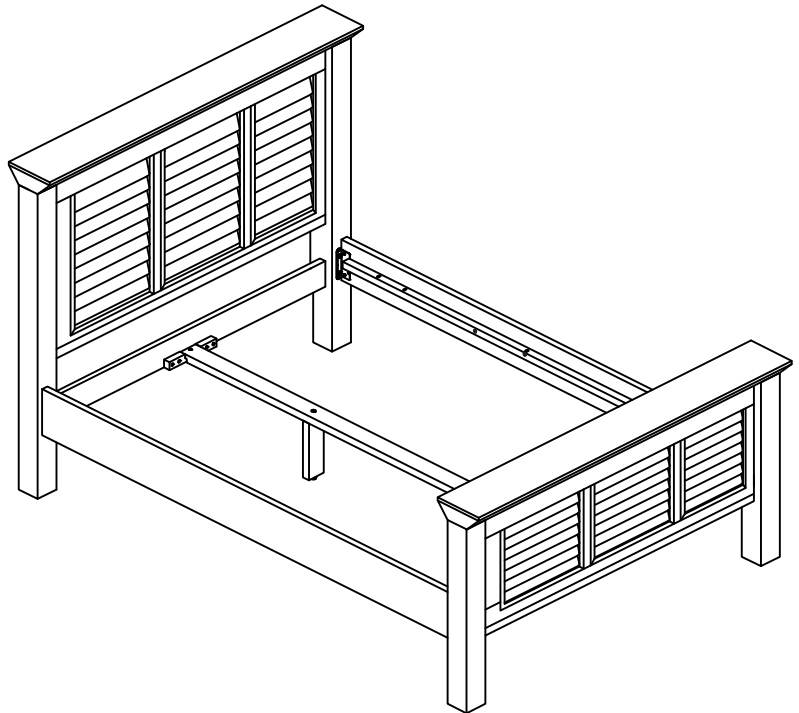
ASSEMBLY INSTRUCTION

Minimum No.of people
 recommended to assemble
 this product

2

Approx assembly time

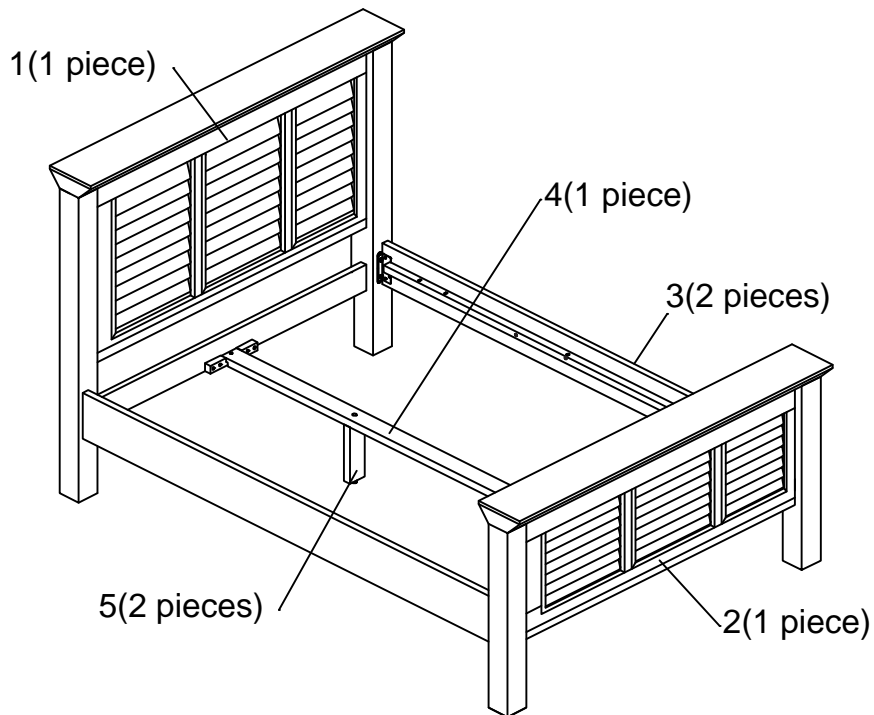
45
 minutes




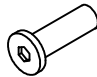

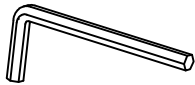
**Before you
 start,here
 is some
 helpful advice**

1. We suggest you spend a short time reading through this leaflet and then follow the simple step by step instructions.
2. If you follow the instructions carefully the end result should be worth the effort.
3. Do not discard any of the packaging until you have checked that you have all the parts and the pack of fittings.
4. To ensure an easier assembly, we strongly advise that all fittings are only finger tightened during initial assembly. Only upon completion of the Assembly should all fixing points be fully tightened.
5. We recommend a periodic check on all fixing points to make sure they remain fully tightened.
6. Keep glue and fittings out of children’s reach.
7. In the unlikely event that this product has missing or damaged parts, please call 0844 292 0000 to obtain spares

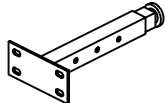
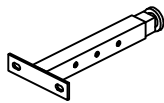

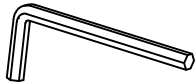
PARTS



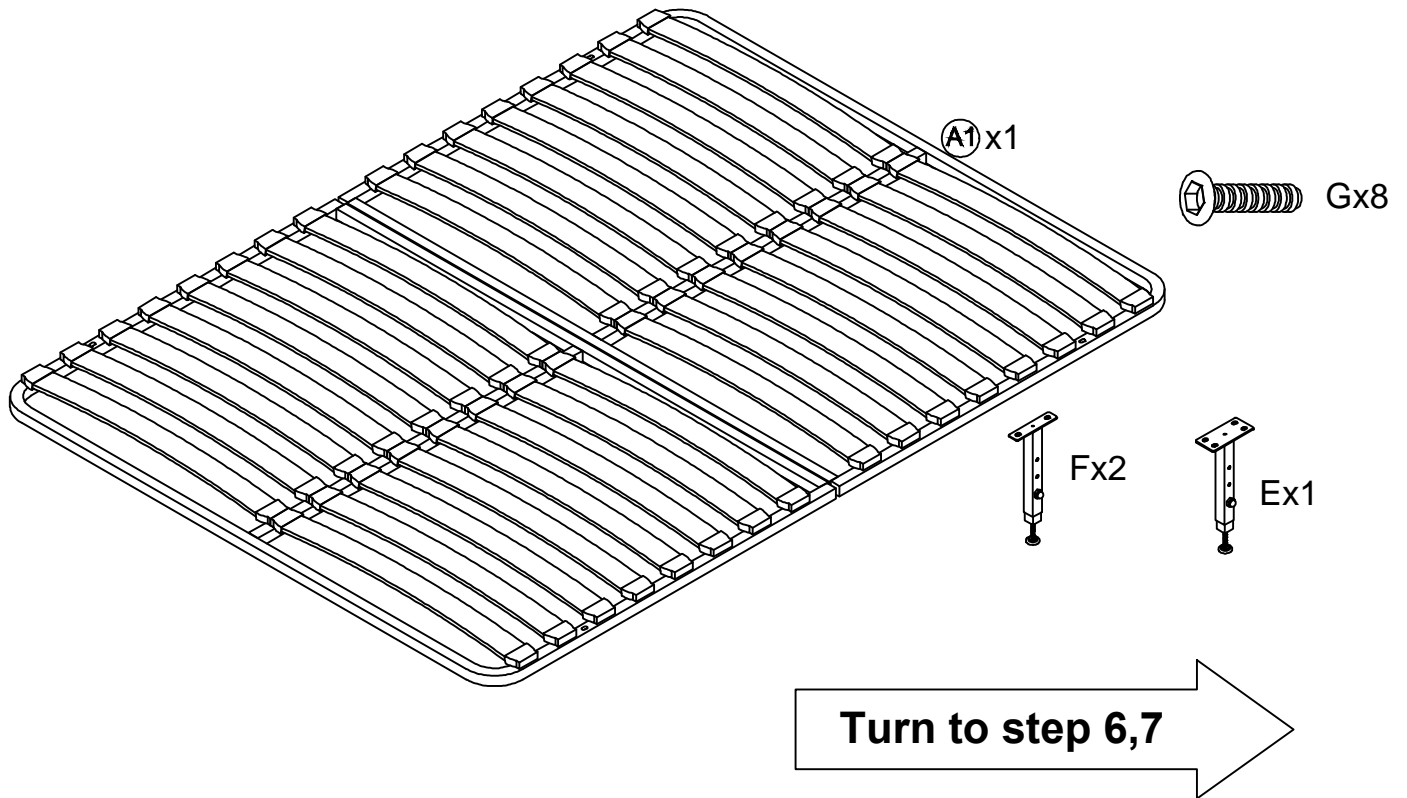
FITTINGS

<p>A</p>  <p>M6 x 45mm x 8pcs.</p>	<p>B</p>  <p>M6 x 20mm x 6pcs.</p>	<p>C</p>  <p>Flat washer Ø19 x 8pcs.</p>
<p>D</p>  <p>Allen key 4mm x 2pcs.</p>		

Note: The following fittings will be found in the box which contains the Sprung Frame, NOT with the bed frames Assembly Kit.

<p>E</p>  <p>Center leg x 1pc.</p>	<p>F</p>  <p>Center leg x 2pcs.</p>	<p>G</p>  <p>M6 x 12mm x 8pcs.</p>
<p>D</p>  <p>Allen key 4mm x 1pc.</p>		

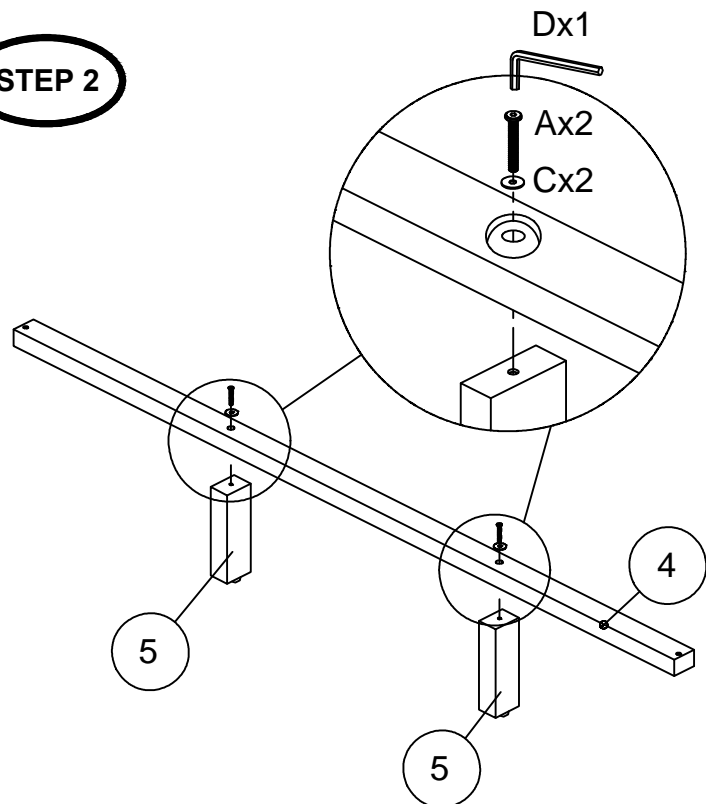
Sprung slat system



Attach central support "4" to support feet "5".

Use bolts "A" and flat washers "C", tighten using allen key "D".

STEP 2

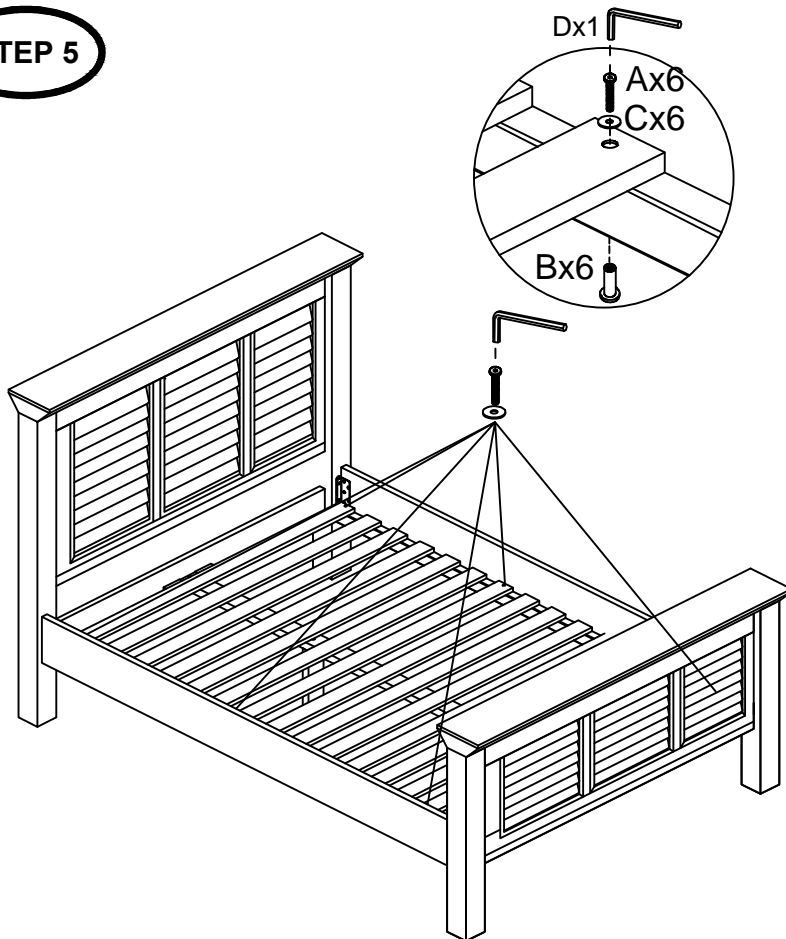


Standard wooden slat system

STEP 5

Place the fixed wood slats onto the slat holders on side rails "3".

Fix the slats at both ends and the middle using bolts "A", sleeve nuts "B" and flat washers "C", tighten with allen key "D".

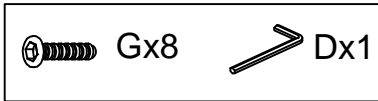
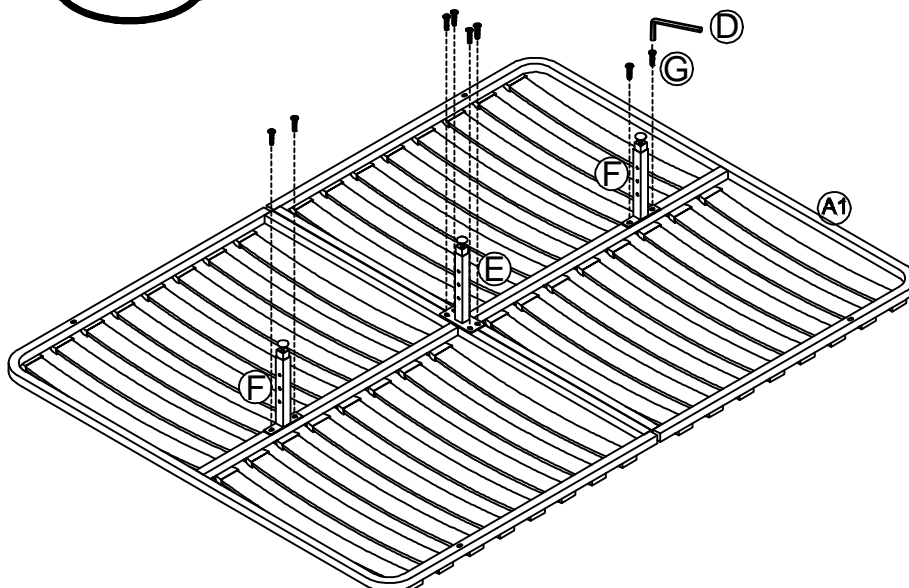


Sprung slat system

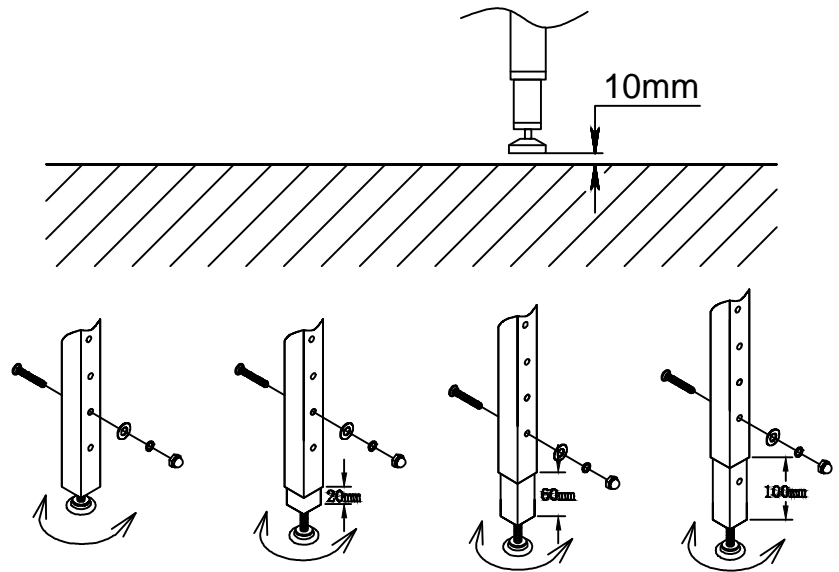
STEP 6

Fix the center legs to the frame

Use bolts "G", tighten using allen key "D".



Adjust leg height to suit bed frame



Please note: the center bar "4" and wooden support feet "5" can be probably disposed if choosing sprung slat frame

Turn the metal slat frame falling upward and carefully lower the slat frame into the bed.

Ensure that the frame sits on the guides located on the side rails "3".

Position the slat frame so that the holes in the frame align with those in the side rails "3".

Secure the frame to the side rails "3" by threading bolt "A" through the holes in the frame and the side rails "3".

Finally, tighten the bolt "A" into the sleeve nut "C" from the top of slats frame with with allen keys "D".

STEP 7

