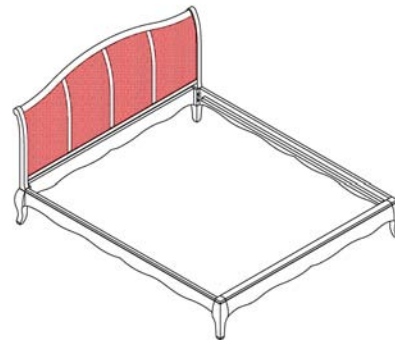




## Dakota Oak-Low Foot End-Rattan

### Assembly Instructions



Minimum No. of people recommended to assemble this product:

2

Approx assembly time:

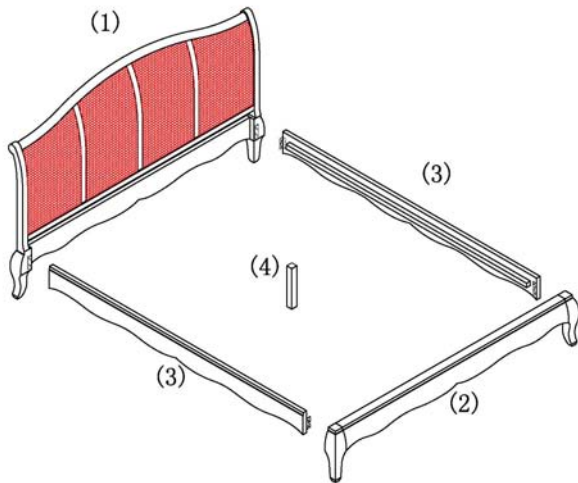
1/2 hours

#### Before you Start, here are some helpful advices.

1. We suggest you spend a short time reading through this leaflet and then follow the simple step by step instructions.
2. If you follow the instructions carefully the end result should be worth the effort.
3. Do not discard any of the packaging until you have checked that you have all the parts and the pack of fittings.
4. Assemble this product on a carpet.
5. To ensure an easier assembly, we strongly advise that all fittings are only finger tightened during initial assembly. Only upon completion of the assembly should all fixing points be fully tightened.
6. We recommend a periodic check on all fixing points to make sure they remain fully tightened.
7. Keep glue and fittings out of children's reach.

In the unlikely event that this product has missing or damaged parts, please call 03442920000 to obtain spares

# PARTSFittings



NO.	PART LIST	QTY
(1)	Headboard	1
(2)	Footboard	1
(3)	Side Rails	2
(4)	Support Leg	1

**A**



**M6x50mmx6pcs**

**B**



**M6x6pcs**

**C**



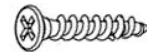
**4mm Allen key x 2pcs**

**D**



**Metal Washer(M6)x6pcs**

**E**



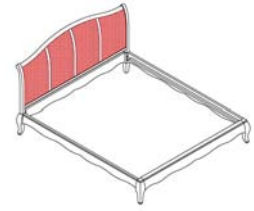
**Screw x35mmx 1pcs**

**F**



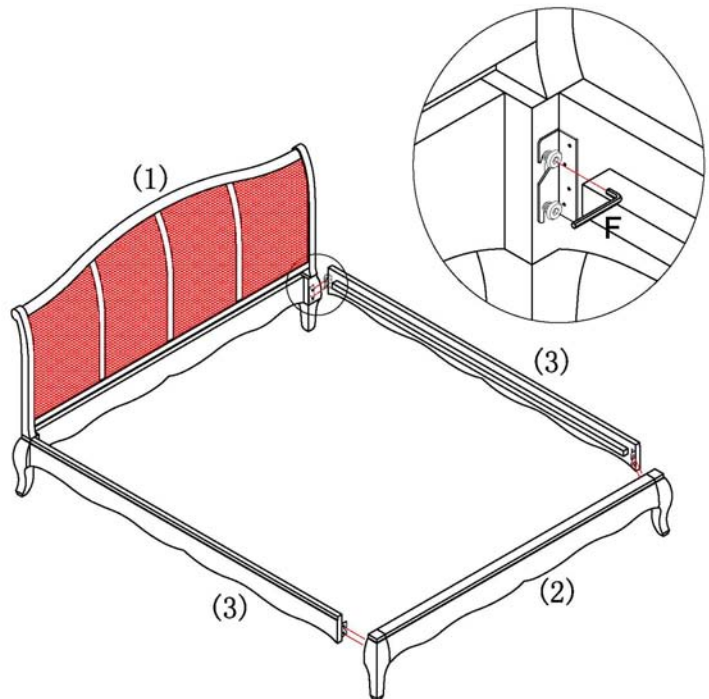
**5mm Allen key x 1pcs**

# ASSEMBLY

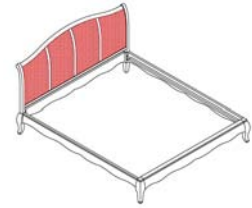


(1).Use the Side Rails (3) is mounted to the Headboard (1) , Footboard (2) , with a Allen Key (F) to lock the bolt

## STEP1



# ASSEMBLY



**NOTE:** You have bought your bed, choosing one of two slat options; either solid or sprung. Although both assembly options are explained here only one will apply to you. Please follow the correct procedure for the slat system which you have chosen.

Both slats on "step 2" and "step 3" can be assembled to the bedstead. you can make a choice between the two slats.

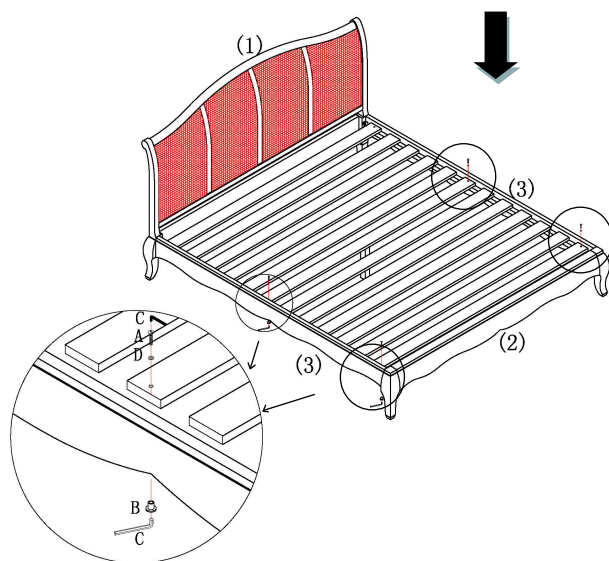
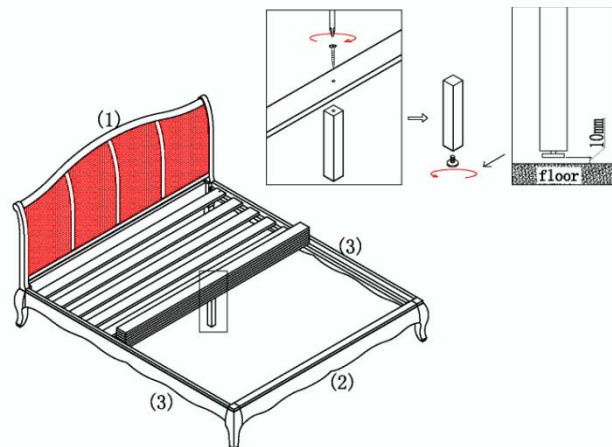
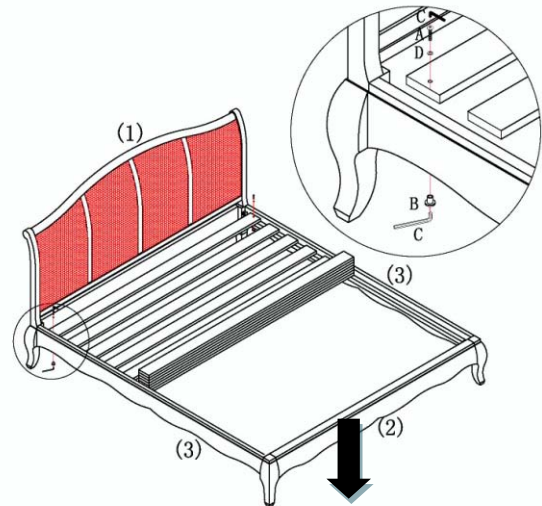
## OPTION "A": DREAMS FIXED WOOD SLATS

(1) Carefully locate the slats onto the unit, as step 2:

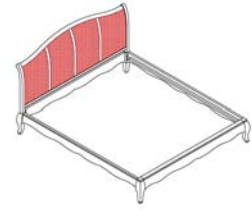
Use bolt (A), washer (D) and JCN nut (B) to fix the unit using Allen Key (C)

(2) Fit the adjustable support wooden leg (4) to the center slat (Fix as screw (E) by Screw drive provide.)

### STEP 2



# ASSEMBLY



## OPTION "B": DREAMS

### SPRUNG SLATS

(1) Use the bolt to fix support leg onto the slat frame. Please note that these bolts are to be found inside the slat frame box.

(2) Carefully locate the slats onto the unit.

(3) Use bolt (A) and JCN nut (B) to fix the unit using Allen Key (C).

### STEP 3

