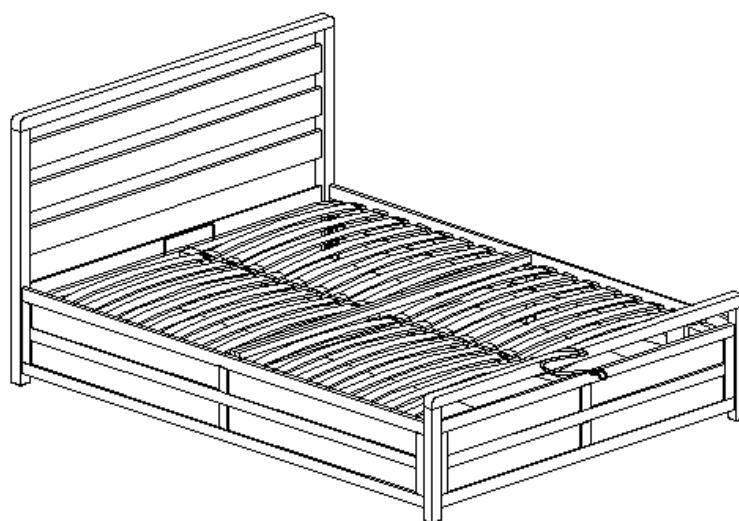




## WOODSTOCK Ottoman

### King Bed

## Assembly Instructions



Minimum No. of people recommended to assemble this product:

2

Approx assembly time:

1 hour

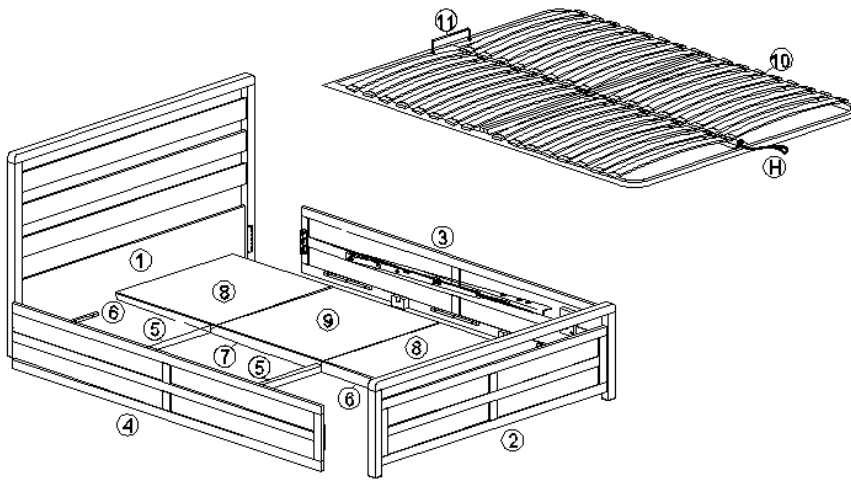
### Before you Start, here are some helpful advices.

1. We suggest you spend a short time reading through this leaflet and then follow the simple step by step instructions.
2. If you follow the instructions carefully the end result should be worth the effort.
3. Do not discard any of the packaging until you have checked that you have all the parts and the pack of fittings.
4. Assemble this product on a carpet.
5. To ensure an easier assembly, we strongly advise that all fittings are only finger tightened during initial assembly. Only upon completion of the Assembly should all fixing points be fully tightened.
6. We recommend a periodic check on all fixing points to make sure they remain fully tightened.
7. Keep glue and fittings out of children's reach.

In the unlikely event that this product has missing or damaged parts, please

# PARTS

# Fittings



## NO. PART LIST

## QTY

(1)	HEADBOARD	1
(2)	FOOTBOARD	1
(3)	SIDE RAILS ( Right )	1
(4)	SIDE RAILS ( Left )	1
(5)	CROSS BAR	2
(6)	OUTER BAR	2
(7)	INNER BAR	1
(8)	BOTTOM BOARD	4
(9)	BOTTOM BOARD	2
(10)	METAL SLAT ASSEMBLY	1
(11)	METAL MATTRESS STOPER	1

**A**



**Philips headbots  
M8x50mmx8pcs**

**B**



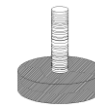
**Allen bolts  
M8x80mmx2pcs**

**C**



**M4 Allen key x 1pc**

**D**



**GLIDES x 2psc**

**E**



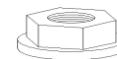
**11Spanner x 1pc**

**F**



**Flat Washer M8 x10pcs**

**G**



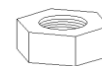
**HEX NUT M8 x10pcs**

**H**



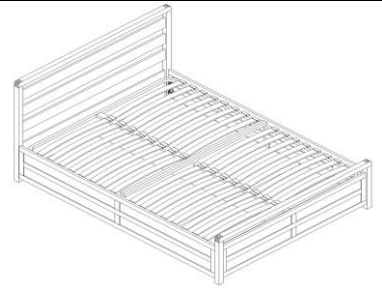
**NYLON STRAP=1 x1pc**

**I**



**HEX NUT M8 x2pcs**

# ASSEMBLY

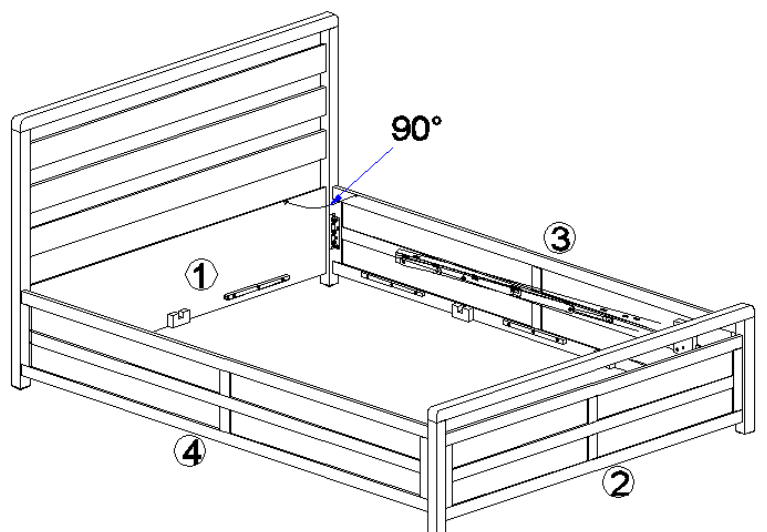
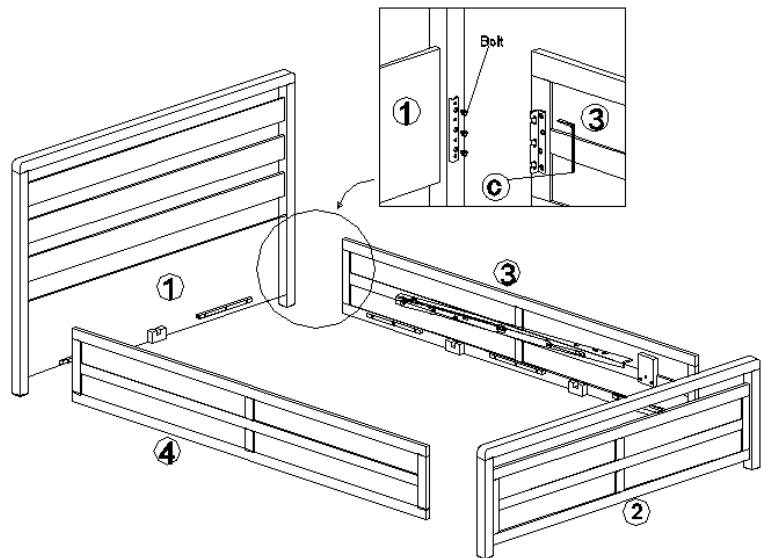


## STEP 1

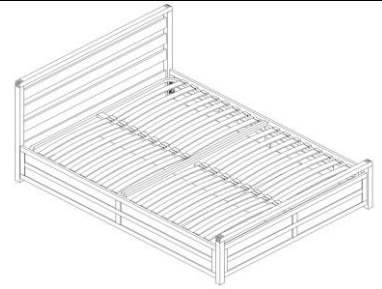
(1) Use bolt (mounted on the headboard and footboard) to fix the side rail (3) onto Headboard (1) and Footboard (2) by using Allen Key (C).

(2) Place the assembled Bed frame in the desire location of the room

(3) Fully tight all bolts 100% using allen key (C) , Make sure both Side Rails (3) (4) are square /90° fixed with the Headboard (1) and Footboard (2).



# ASSEMBLY

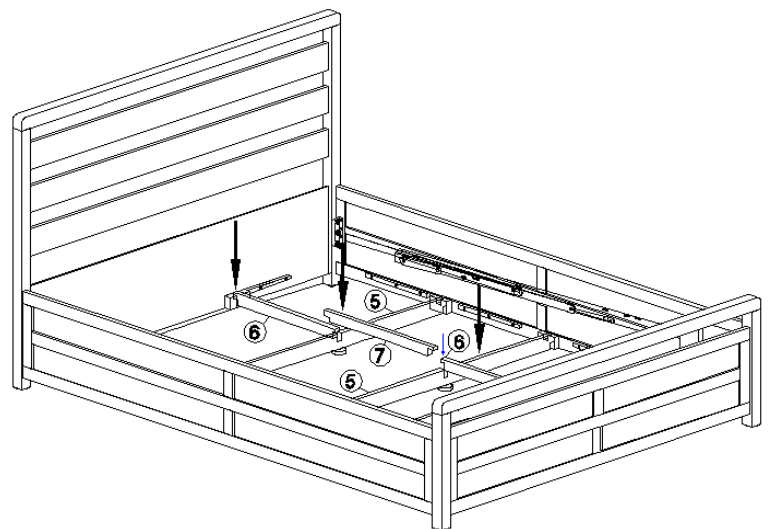
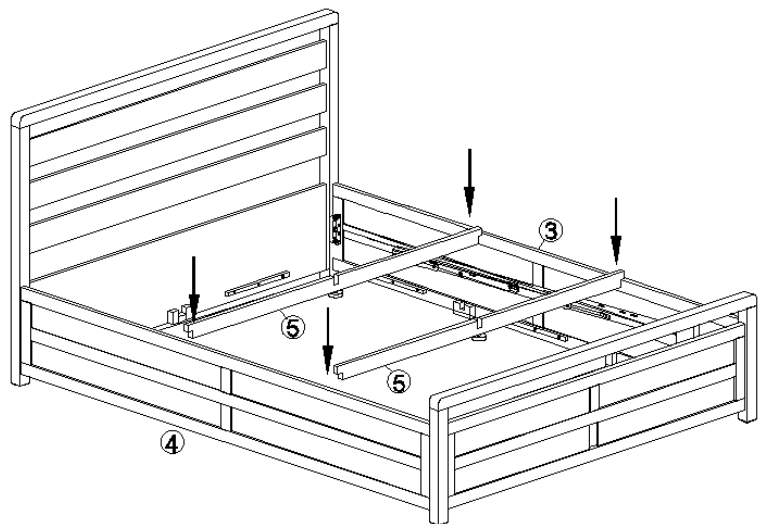
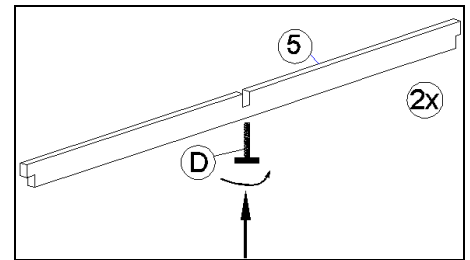


## STEP 2

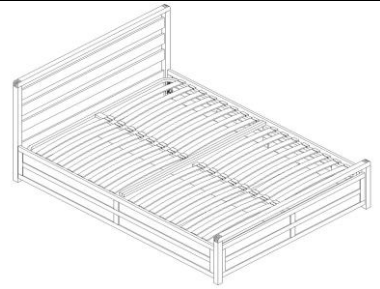
(1) Secure the adjustable glides (K) to the cross bar (5) by screwing the glides

(2) Place the cross bar (5) to the side rails (3) (4)

(3) Place the 2 outer bar (6) and inner bar (7) as illustrated .

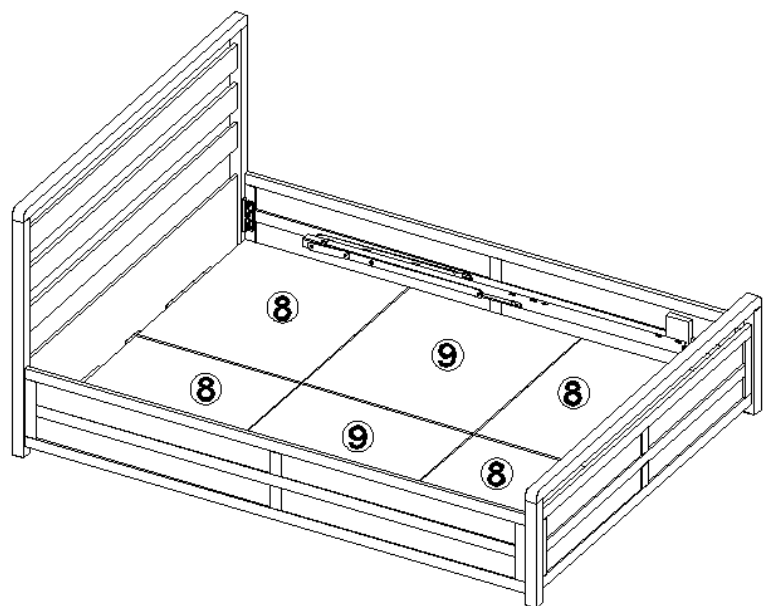
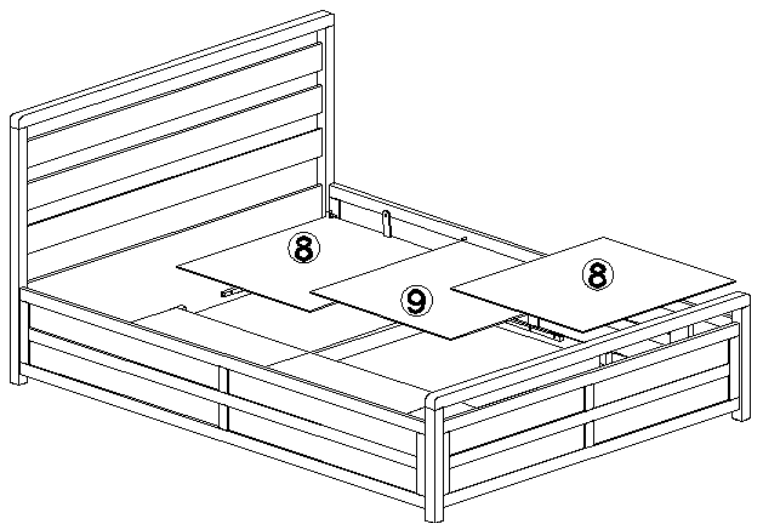


# ASSEMBLY



(1). Place the bottom board (8) and (9) as illustrated .

## STEP 3

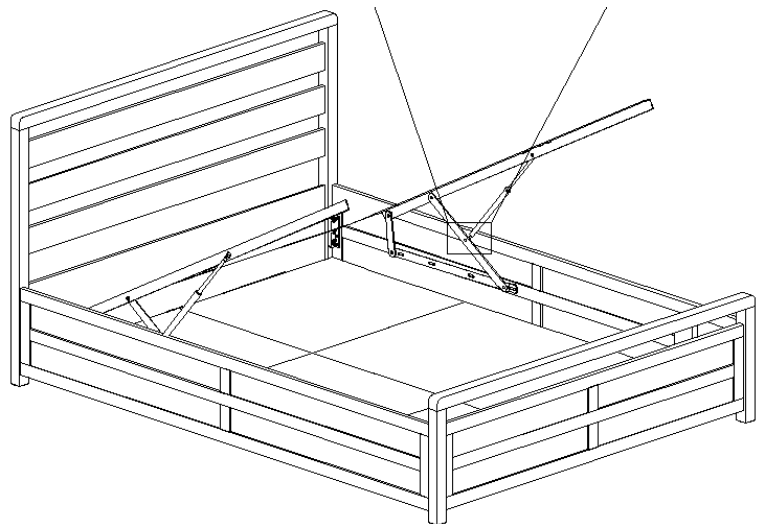
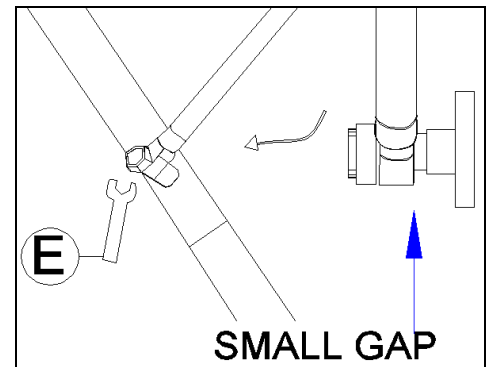


# ASSEMBLY



## STEP 4

- (1). Secure the gas spring to the metal lift hinges in place , at both side rails .
- (2). Tighten nuts with spanner (E) do not over tighten. A small gap is left so stems can move freely- this is important-see sketch.

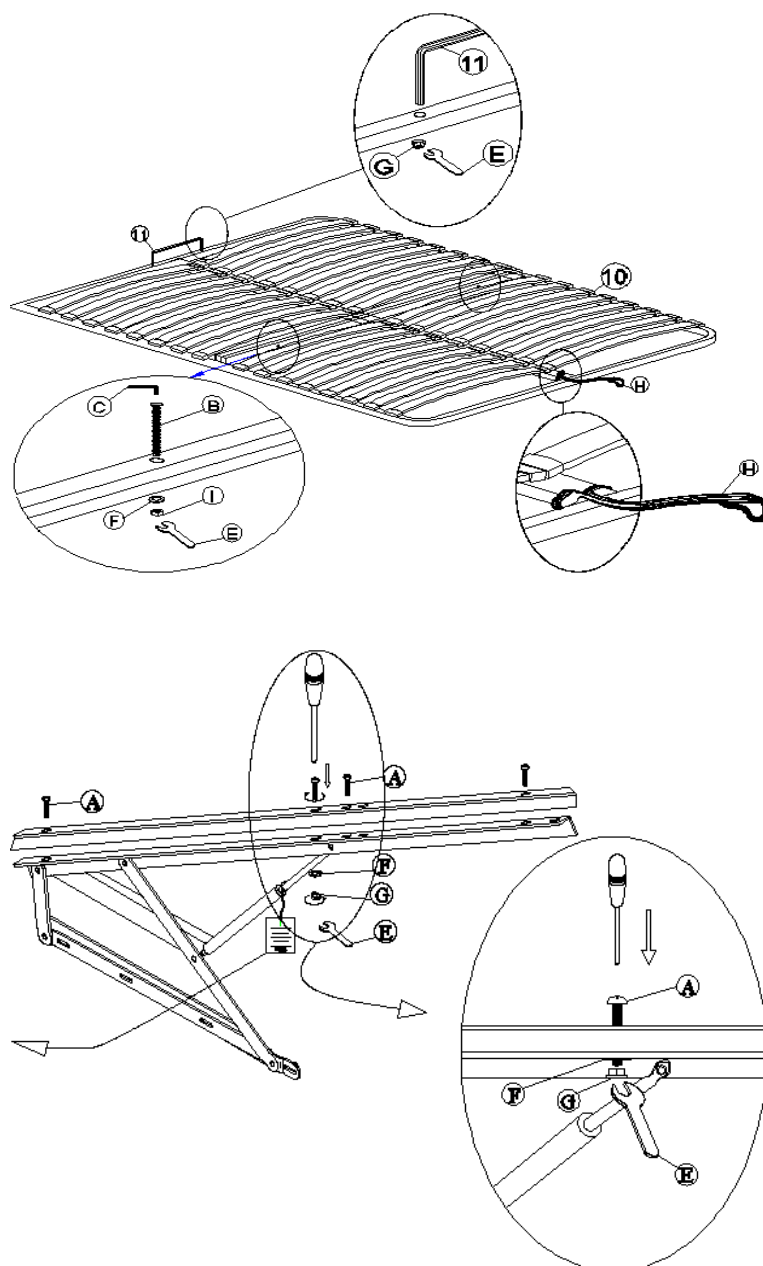


# ASSEMBLY



## STEP 5

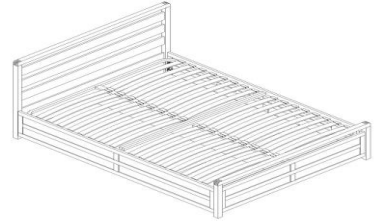
- (1). Secure the metal slats assembly (10) middle Joint with Allen bolts (B), flat washer (F) and Hex nut (G) using allen key (C) and Spanner (E)
- (2). Place and secure the Metal Mattress stopper (11) to the Metal Slats assembly (10) with Hex nut (I) using Spanner (E).
- (3). Secure the Nylon Strap (H) on the other end of Metal Slat assembly .



When fully assembly and the mattress is in position, please raise and lower the ottoman 4 - 5 times. To ensure the gas pistons are fully lubricated.

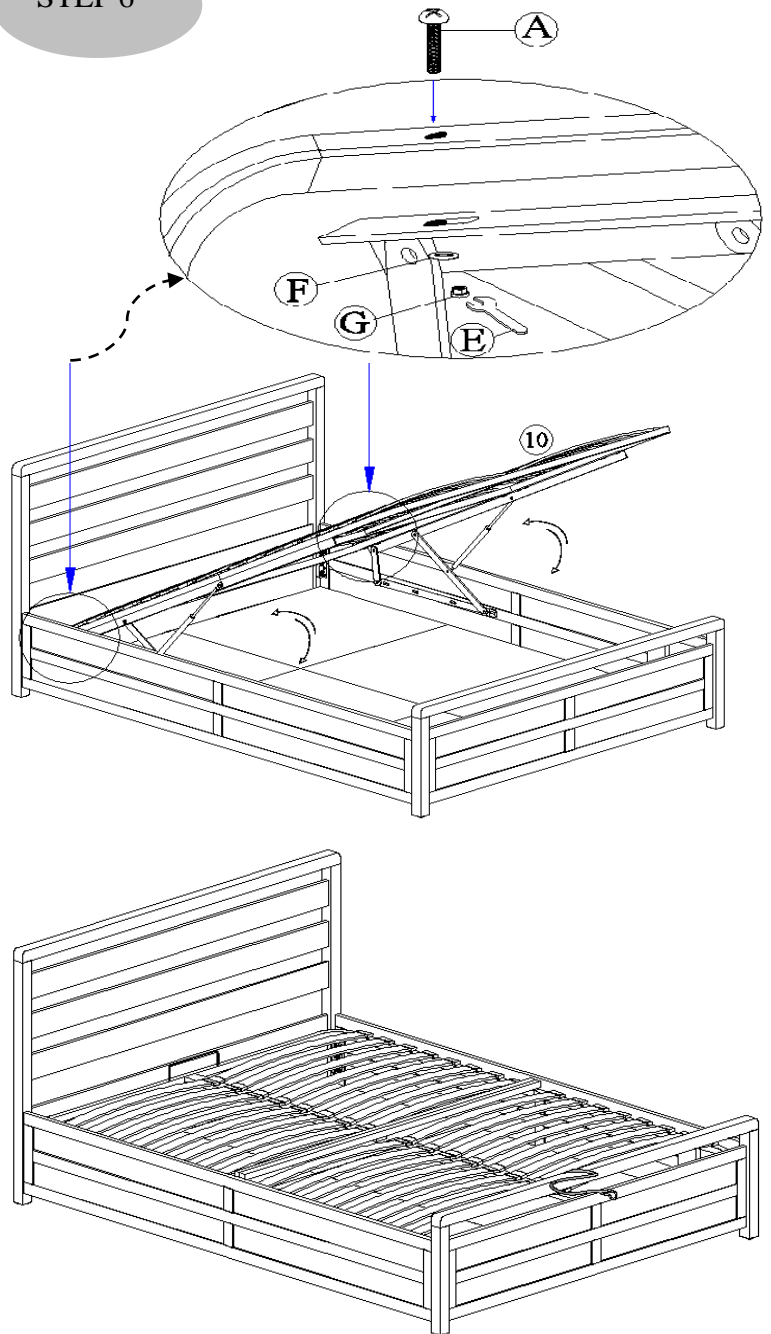
**Dreams**

# ASSEMBLY



## STEP 6

(1).Place and secure the metal slats assembly with Philip head bolt (A) , Flats washer (F) and Hex nut (G) using spanner (E) .



**NOTE :**  
WHEN FULLY ASSEMBLY AND THE  
MATTRESS IS IN POSITION, PLEASE  
RAISE AND LOWER THE OTTOMAN 4-5  
TIMES , TO ENSURE THE GAS PISTON ARE  
FULLY LUBRICATED .