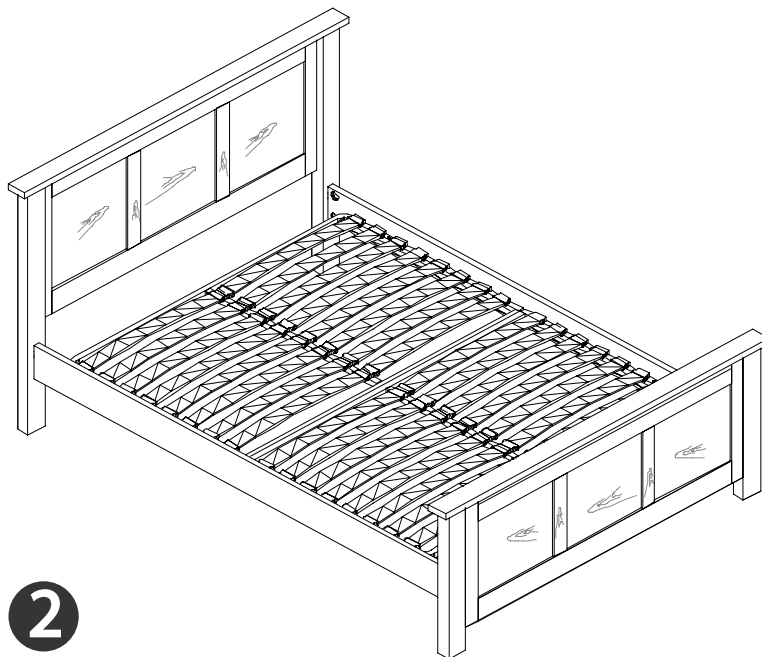




## OAKWOOD BEDSTEAD

221-00048

# Assembly Instructions



Minimum No. of people recommended to assemble this product:

**2**

Approx assembly time:

**1**  
hour

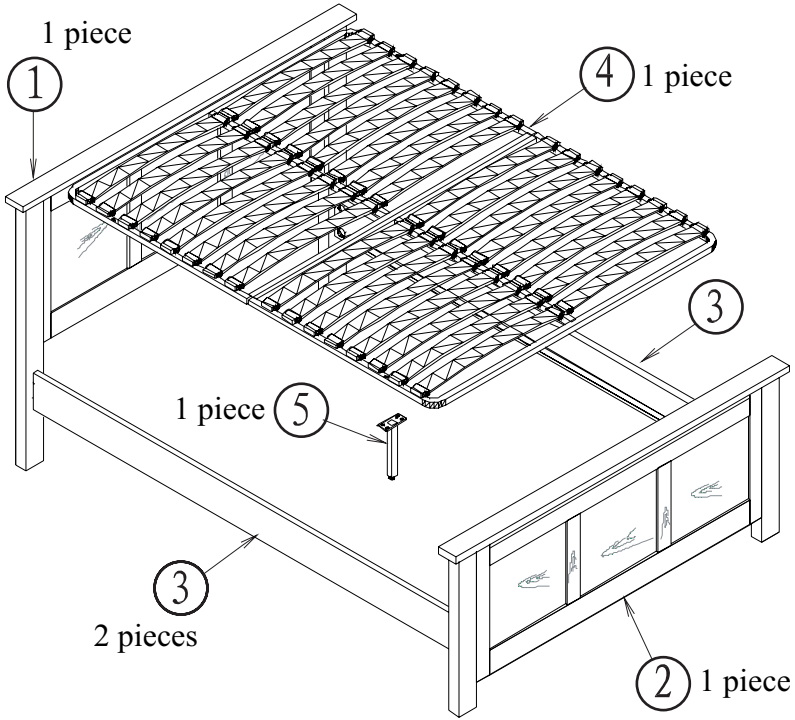



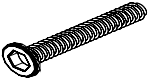


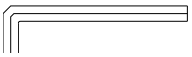
NOTE: Assembly should be carried out in the room that the bed will be used in.

**Before you start, here is some helpful advice**

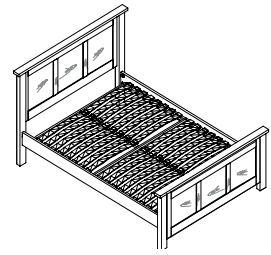
1. We suggest you spend a short time reading through this leaflet and then follow the simple step by step instructions.
2. If you follow the instructions carefully the end result should be worth the effort.
3. Do not discard any of the packaging until you have checked that you have all the parts and the pack of fittings.
4. Assemble this product on a carpet.
5. To ensure an easier assembly, we strongly advise that all fittings are only finger tightened during initial assembly. Only upon completion of the assembly should all fixing points be fully tightened.
6. We recommend a periodic check on all fixing points to make sure they remain fully tightened.
7. Keep fittings out of children's reach.

In the unlikely event that this product has missing or damaged parts, please call 0870 3333 612 to obtain spares.

# Component parts and fittings contained in the box

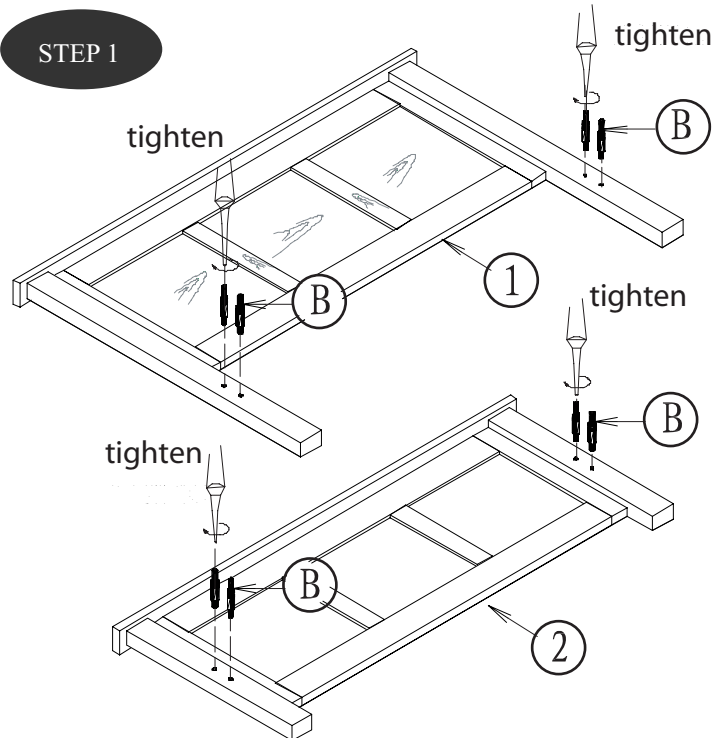
PARTS	Fittings
 <p>1 piece</p> <p>①</p> <p>④ 1 piece</p> <p>③</p> <p>1 piece ⑤</p> <p>③ 2 pieces</p> <p>② 1 piece</p>	<p><b>A</b></p>  <p>Connector 8PCS</p>
	<p><b>B</b></p>  <p>Connecting bolt 8PCS</p>
	<p><b>C</b></p>  <p>M6 x 20mm 4PCS</p>
	<p><b>D</b></p>  <p>M6 x 35mm 4pcs</p>
	<p><b>E</b></p>  <p>Wing Nut 4pcs</p>
	<p><b>F</b></p>  <p>4MM Allen key 1pc</p>
	<p><b>G</b></p>  <p>6MM Allen key 1pc</p>

# ASSEMBLY



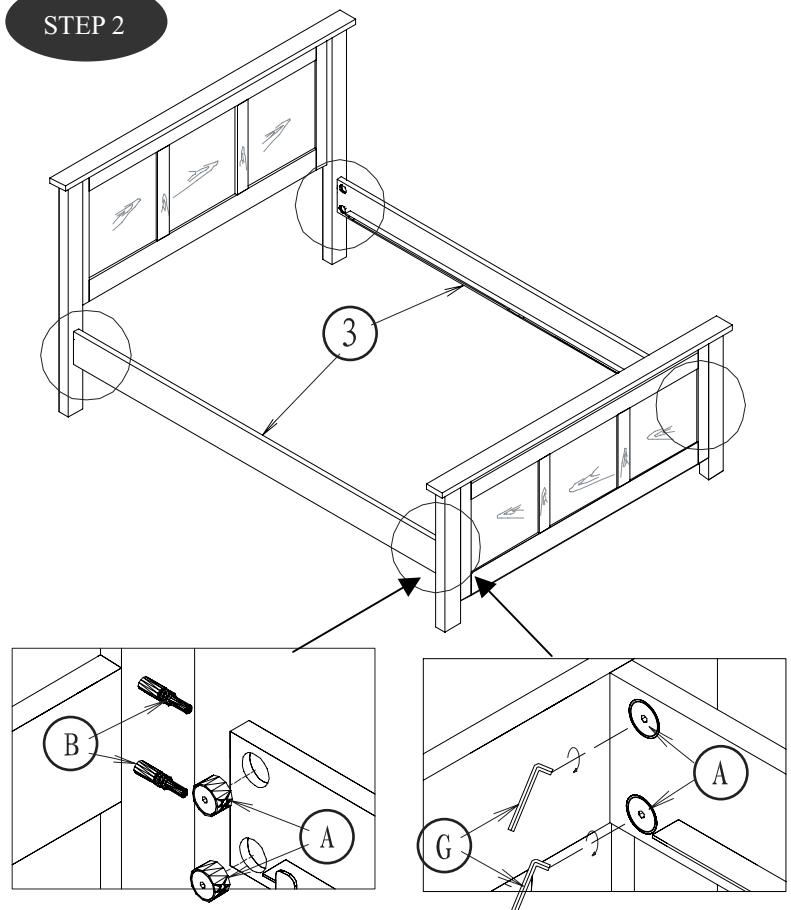
1) Screw the connecting bolt **B** into the headboard **1** and footboard **2**.

## STEP 1

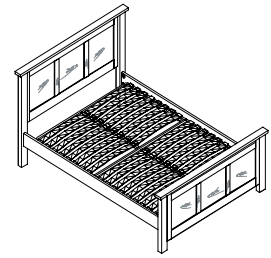


1) Connect the headboard **1**, footboard **2** and side rail **3** using the connectors **A** and connecting bolt **B**. Lock into position by turning connectors **A** clockwise, using Allen key **D** (see inset).

## STEP 2

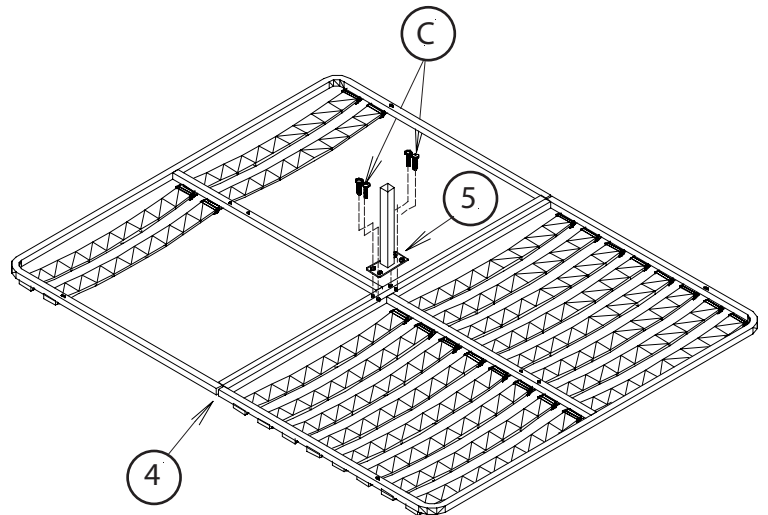


# ASSEMBLY



1) Connect the slat frame **4** and support leg **5** using the Bolts **C**.

STEP 3



1) Then place the slat into the unit.  
Use the bolts **D** and the Wing Nut **E** to fix to the side rail.

