

Dreams

Double Fresco

211-00027

King Fresco

215-00022

Assembly Instructions



Minimum No. of people recommended to assemble this product:

1

Approx assembly time:

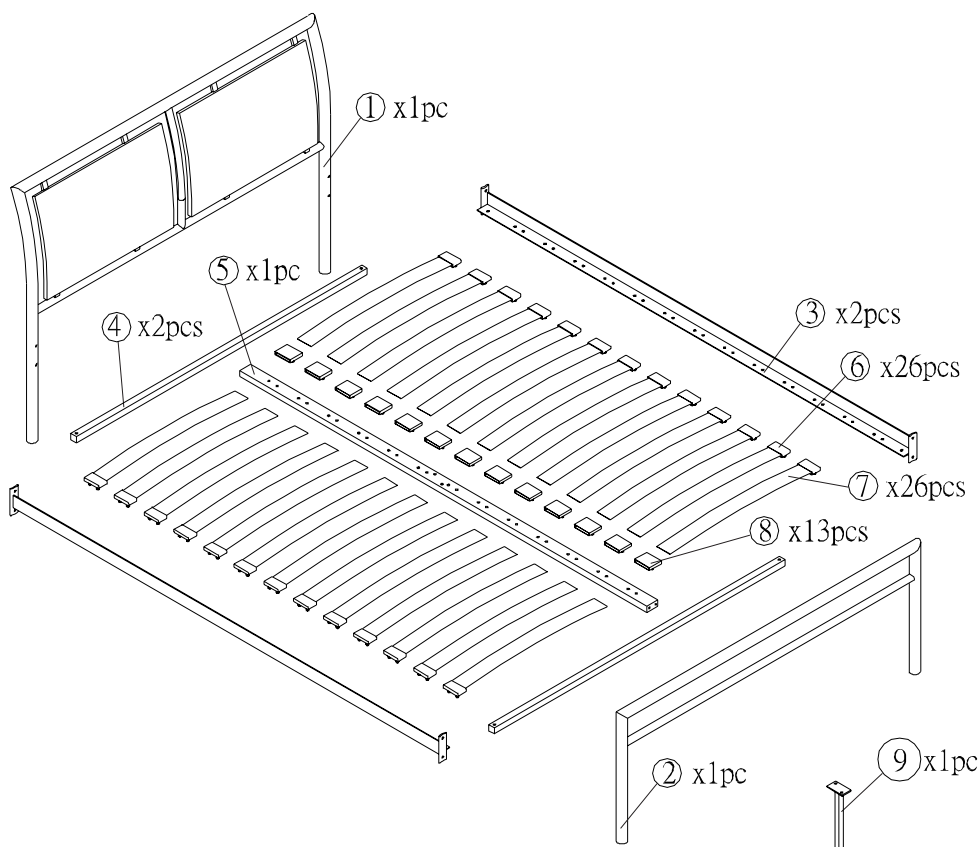
1 hour

Before you start, here is some helpful advice

1. We suggest you spend a short time reading through this leaflet and then follow the simple step by step instructions.
2. If you follow the instructions carefully the end result should be worth the effort.
3. Do not discard any of the packaging until you have checked that you have all the parts and the pack of fittings.
4. Assemble this product on a carpet.
5. To ensure an easier assembly, we strongly advise that all fittings are only finger tightened during initial assembly. Only upon completion of the assembly should all fixing points be fully tightened.
6. We recommend a periodic check on all fixing points to make sure they remain fully tightened.
7. Keep fittings out of children's reach.

Component parts and fittings contained in the box

PARTS



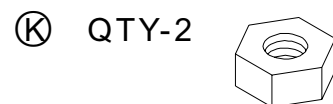
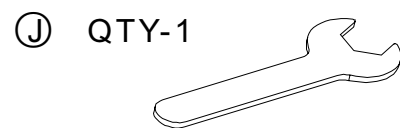
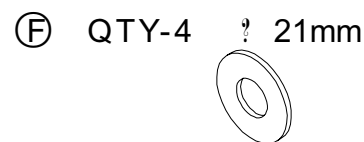
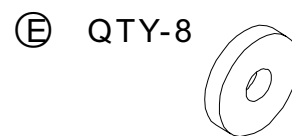
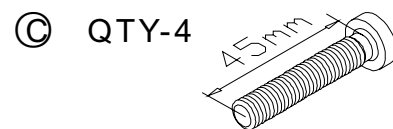
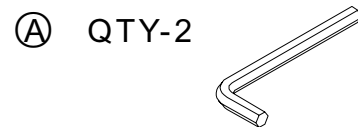
NOTE: Quantities shown above are for the double bed. The king size bed will have extra parts as follows:

Wooden slats ⑦ QTY28

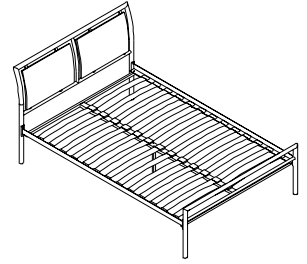
Plastic caps ⑥ QTY28

Plastic caps ⑧ QTY14

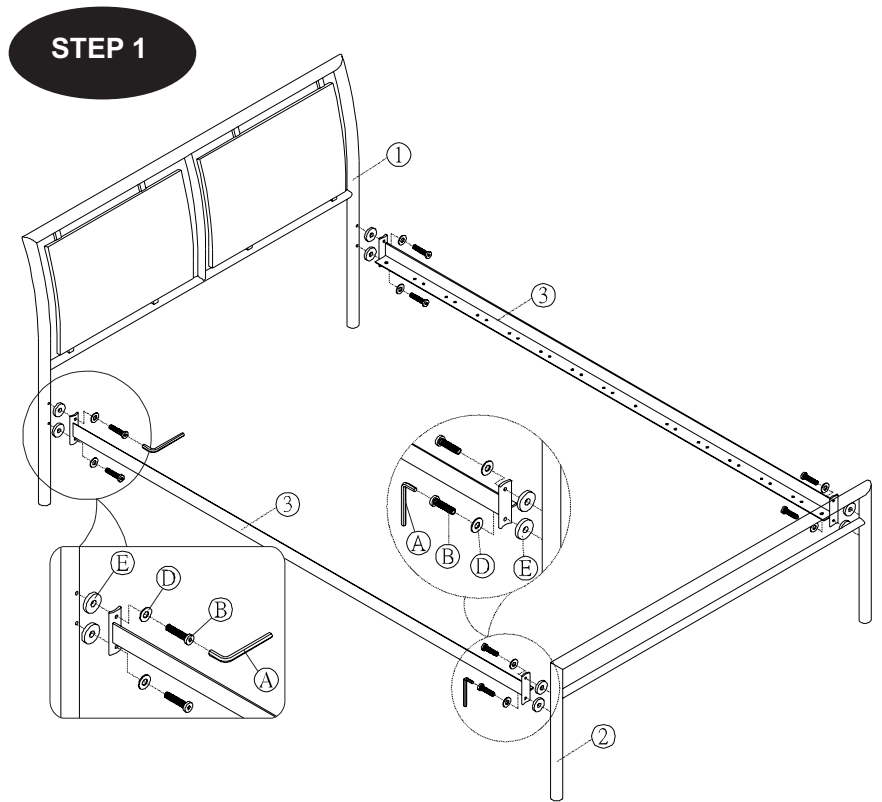
Fittings



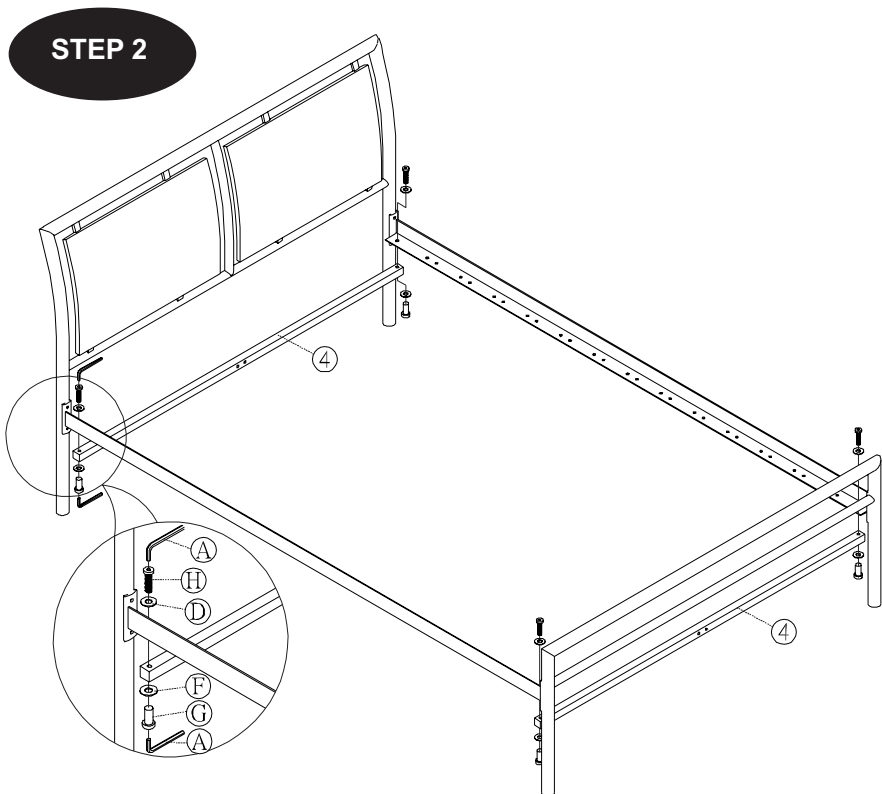
ASSEMBLY



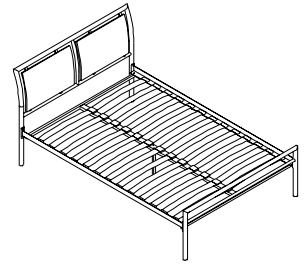
- 1) Assemble side rails ③ to headboard ① using fixings ② ③ and ④.
- 2) Repeat for footboard assembly.



- 1) Assemble mattress support frames ④ to side rails at each end. Use fixings ⑤ ⑥ ⑦ and ⑧.



ASSEMBLY



1) Assemble central support ⑤ in between mattress support frames ④. Secure using fixings ③ and ④.

2) Assemble adjustable feet ⑨ in central support ⑤. Secure using fixings ① and ②.



1) Fit wooden slats ⑦ as shown. Plastic caps ⑥ are required on each side, and plastic caps ⑧ are required in the middle.



Customer Support

We have taken great care to ensure this item arrives complete and in good condition. Please unpack each piece carefully and confirm that all parts listed are available.

In the unlikely event that any of the smaller parts are missing or damaged, then we undertake to replace them as soon as possible.

To secure missing or damaged parts, or to seek further assembly or product related advice, you can contact our customer services department by email at:

cs@justwise.com

Alternatively if you prefer to speak to our customer services staff, please telephone 01799 513466. (Note: the company reserves the right to modify the design, construction, colour and price without prior notice.)

Important: Should you need to contact us to order replacement parts, please confirm which size bed you have purchased

4' 6" Double - Ref DB2924

or

5' King Size - Ref DB2925

Justwise Group Ltd
6 The Shires
Shirehill Industrial Estate
Saffron Walden
Essex
CB11 3AP
Email: cs@justwise.com
Tel: 01799 513466
Fax: 01799 525657

Customer Information

Solid wood / real wood veneers

This product has been finished using natural materials. As a living material, you may notice some variation in the grain and colour shade between the different component parts.

Unlike a synthetic or man-made material which has a uniform finish, a feature of natural wood is its variation in grain and colour, we wish to reassure you that this is quite normal, and is not the result of any manufacturing fault.

Where sheets of veneer are joined together, a line may be detected, again, this is normal, and is not an imperfection.

The natural finish should be cared for by the periodic application of a good quality 'wax' based domestic furniture polish (not silicone). Occasional small spills should be removed immediately using a damp cloth.

Do not allow hot articles to come into contact with the surface, as damage will occur!