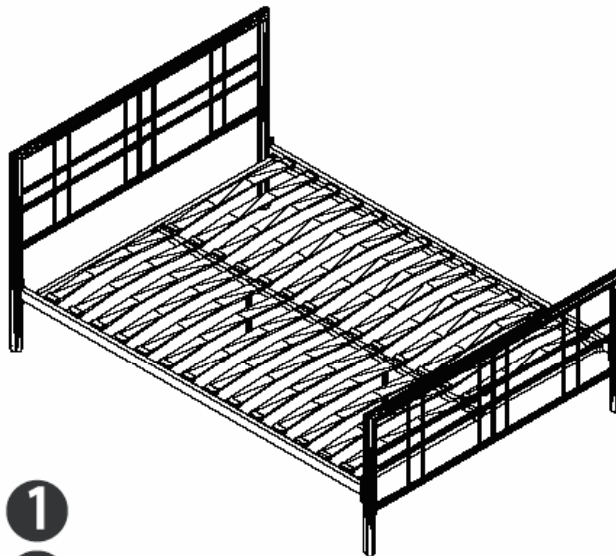




FIRENZA BED

211-00029

Assembly Instructions



Minimum No. of people recommended to assemble this product:

1

Approx assembly time:

3/4 hour

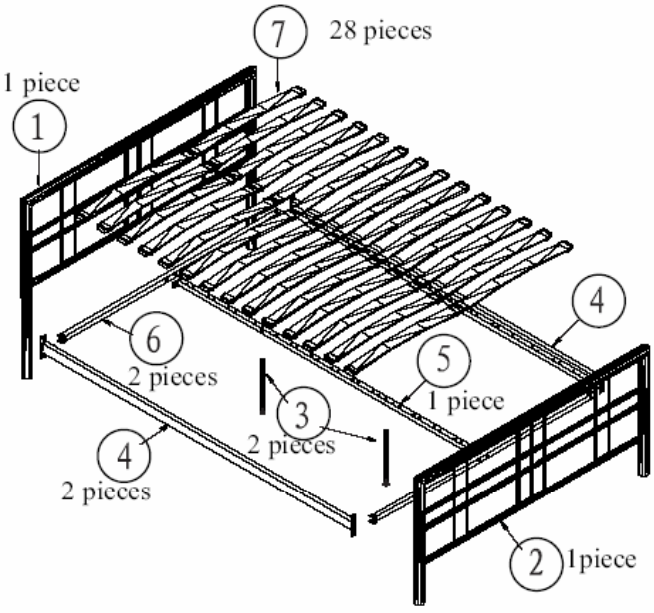







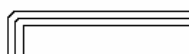

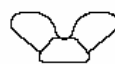
NOTE: Assembly should be carried out in the room that the bed will be used in.

Before you start, here is some helpful advice

1. We suggest you spend a short time reading through this leaflet and then follow the simple step by step instructions.
2. If you follow the instructions carefully the end result should be worth the effort.
3. Do not discard any of the packaging until you have checked that you have all the parts and the pack of fittings.
4. Assemble this product on a carpet.
5. To ensure an easier assembly, we strongly advise that all fittings are only finger tightened during initial assembly. Only upon completion of the assembly should all fixing points be fully tightened.
6. We recommend a periodic check on all fixing points to make sure they remain fully tightened.
7. Keep fittings out of children's reach.

In the unlikely event that this product has missing or damaged parts, please call 0870 3333 612 to obtain spares.

Component parts and fittings contained in the box

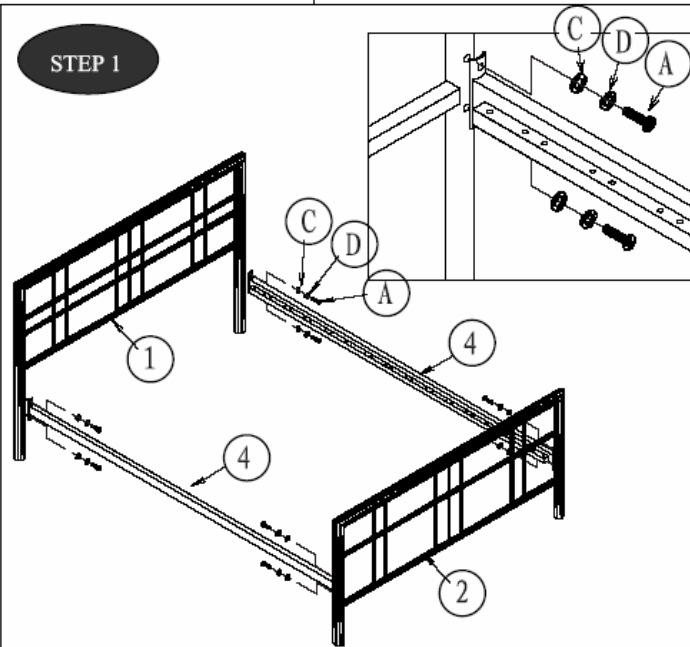
PARTS	Fittings
 <p>1 piece 1</p> <p>28 pieces 7</p> <p>2 pieces 6</p> <p>2 pieces 3</p> <p>2 pieces 4</p> <p>1 piece 5</p> <p>1 piece 2</p>	<p>A</p>  <p>M8 x25mm 8PCS</p>
	<p>B</p>  <p>M6 x20mm 4PCS</p>
	<p>C</p>  <p>Washer x 8pcs</p>
	<p>D</p>  <p>Spring washer 8pcs</p>
	<p>E</p>  <p>Plastic cap 14pcs</p>
	<p>F</p>  <p>Plastic cap 28pcs</p>
	<p>G</p>  <p>4MM Allen key 1pc</p>
	<p>H</p>  <p>5MM Allen key 1pc</p>
	<p>I</p>  <p>M6 x40mm 4PCS</p>
	<p>J</p>  <p>M6 Wing Nut 4PCS</p>

ASSEMBLY



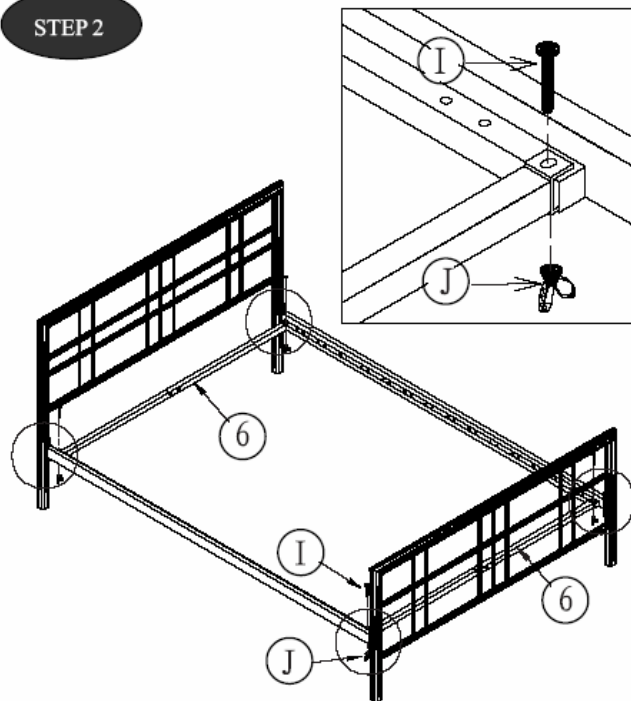
1) Connect the headboard **1**, foot board **2** and side rail **4** using the washer **C**, spring washer **D** and bolts **A**.

STEP 1



1) Use the Bolt **I** and Wing nut **J** to fix the end rail **6** and side rail **4**.

STEP 2

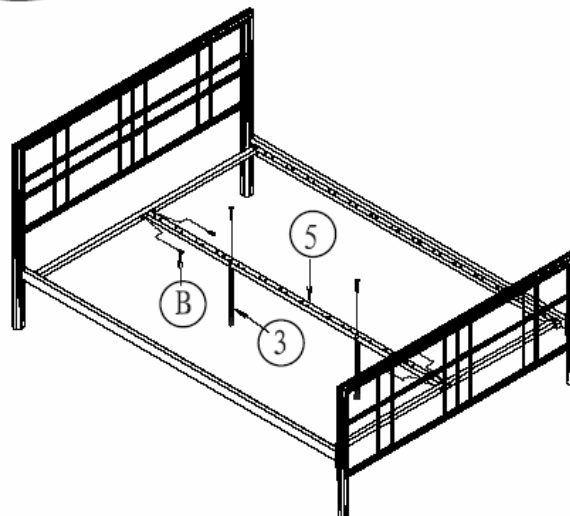


ASSEMBLY



- 1) Use the bolts **B** to fix the headboard **1** and Middle rail **5**.
- 2) Loosen the bolt from the support leg **3**, then use the Bolts to fix the Support leg **3** and Middle rail **5**.

STEP 3



- 1) Use the Plastic cap **E** and Plastic cap **F** to connect the wood slat **7**, slot the end caps **F** into the holes of side rail. Then press down the Centre cap **E** onto Centre rail on the guide holes with the rubber hammer.

STEP 4

