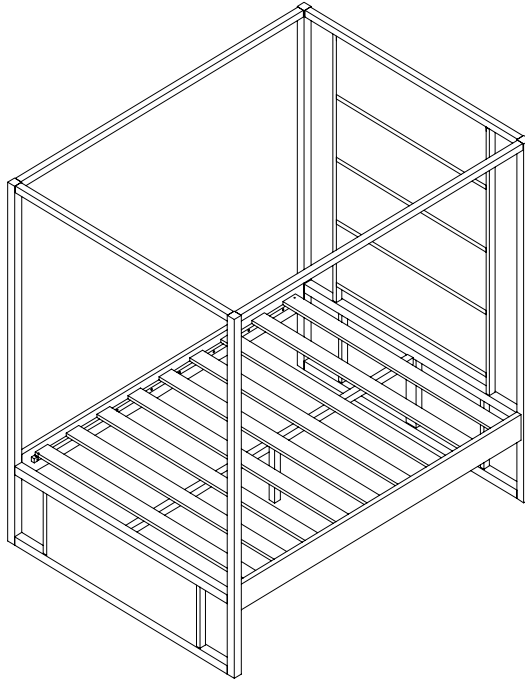


Dreams

Cliveden King 4 Poster Bedstead

225-00030

Assembly Instructions



Minimum No. of people recommended to assemble this product:

2

Approx assembly time:

1½ hours

Note: Assembly must be carried out in the same room that the bed will be used in.

Before you start, here is some helpful advice

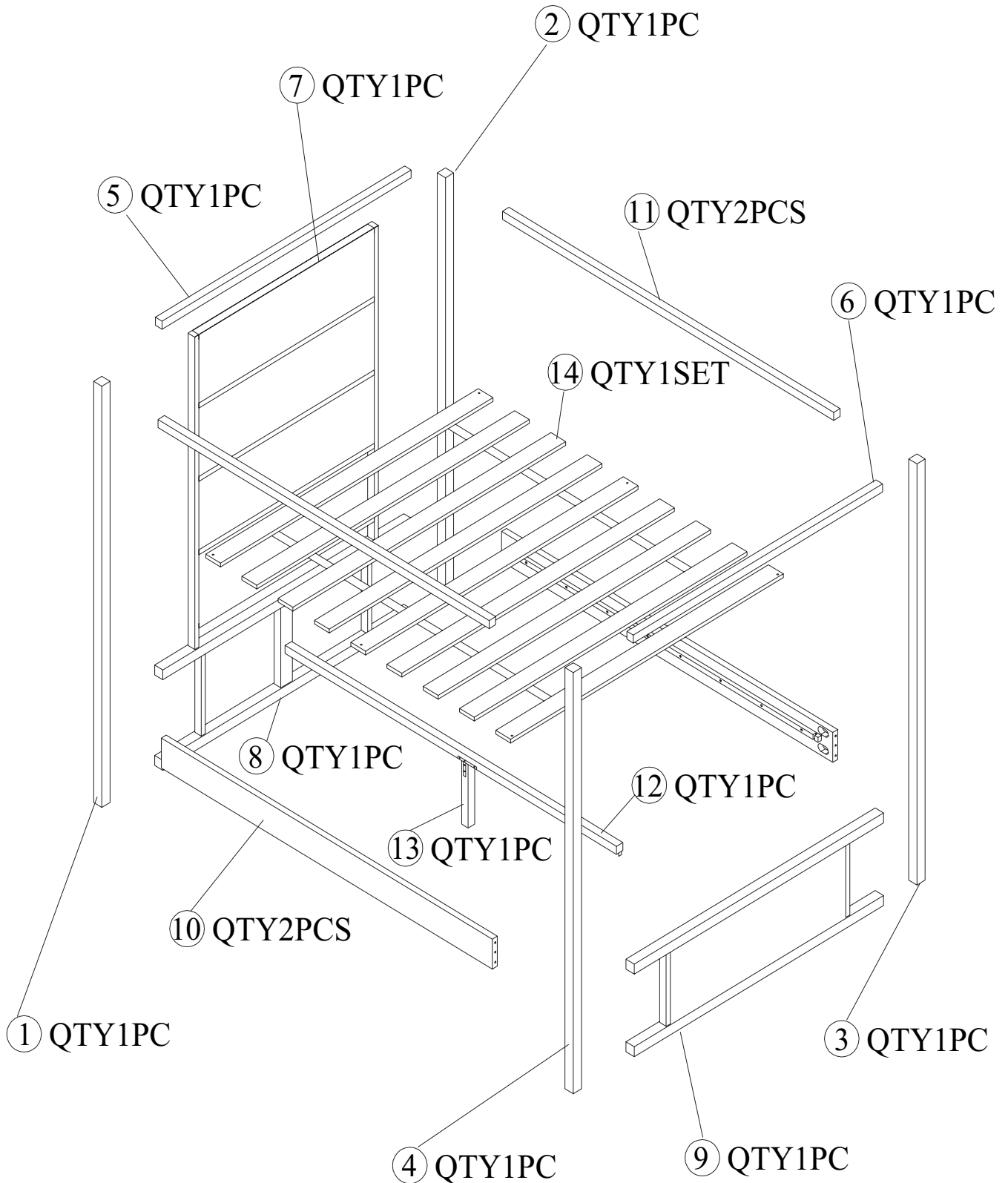
1. We suggest you spend a short time reading through this leaflet and then follow the simple step by step instruction.
2. If you follow the instruction carefully the end result should be worth the effort.
3. Do not discard any of the packaging until you have checked that you have all the parts and the pack of fittings.
4. Assemble this product on a carpet.
5. **To ensure an easier assembly we strongly advise that all fittings are only finger tightened during initial assembly. Only upon completion of the assembly should all fixing points be fully tightened.**
6. We recommend a periodic check on all fixing points to make sure they remain fully tightened.
7. Keep glue and fitting out of children's reach.

In the unlikely event that this production has missing or damaged parts , please call 01799 513466 to obtain spares.

Component parts in the box

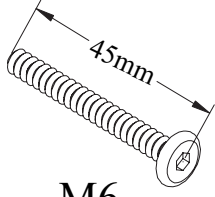

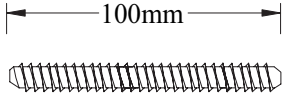
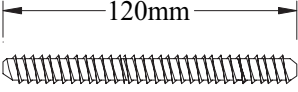

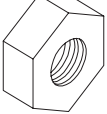

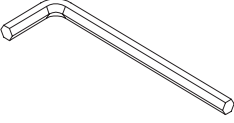
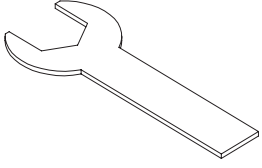
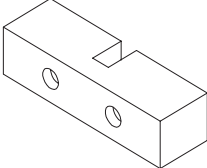
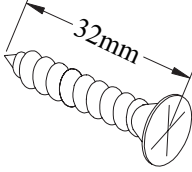
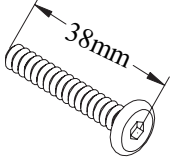
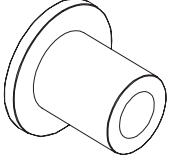
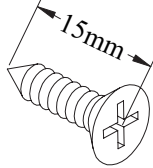

PARTS

Note: All parts will be identified with labels corresponding to the numbers used in these instructions.

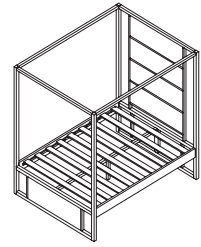


Fittings contained in the box

fittings

 <p>M6</p>	 <p>40mm</p> <p>Ø 10</p>	 <p>100mm</p> <p>M8</p>
<p>Ⓐ QTY 4 pcs</p>	<p>Ⓑ QTY 26 pcs</p>	<p>Ⓒ QTY 16 pcs</p>
 <p>120mm</p> <p>M8</p>		
<p>Ⓓ QTY 8 pcs</p>	<p>Ⓔ QTY 24 pcs</p>	<p>Ⓕ QTY 24 pcs</p>
	 <p>4mm</p>	
<p>Ⓖ QTY 12 pcs</p>	<p>Ⓗ QTY 2 pcs</p>	<p>Ⓖ QTY 1 pc</p>
	 <p>32mm</p> <p>M5</p>	 <p>38mm</p> <p>M6</p>
<p>Ⓙ QTY 6 pcs</p>	<p>Ⓚ QTY 12 pcs</p>	<p>Ⓛ QTY 6 pcs</p>
	 <p>15mm</p> <p>M4</p>	 <p>GLUE</p>
<p>Ⓜ QTY 6 pcs</p>	<p>Ⓝ QTY 6 pcs</p>	<p>Ⓞ QTY 1 pc</p>

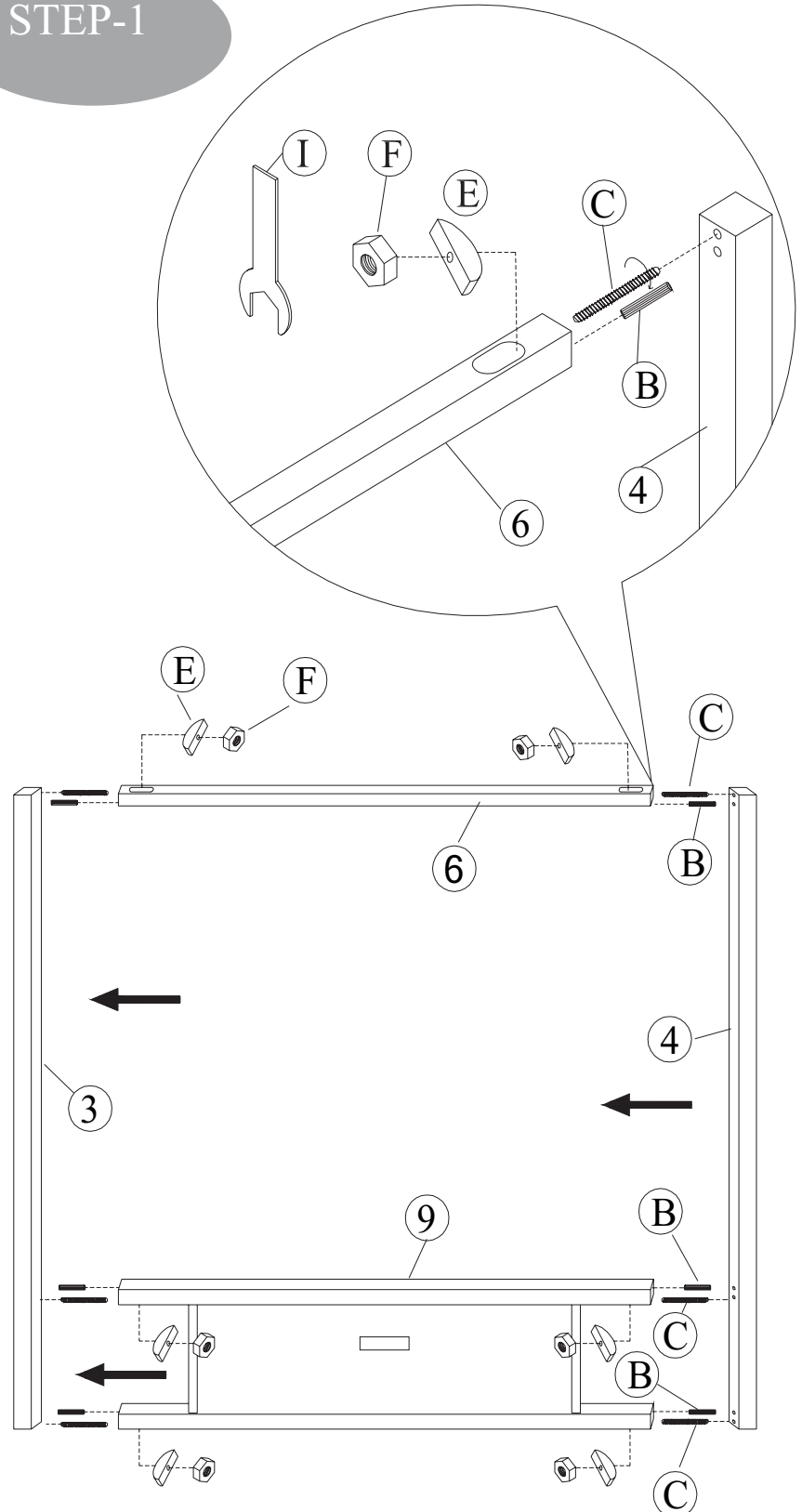
ASSEMBLY



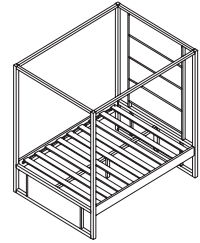
FOOTBOARD

- 1) Screw metal threaded rods (C) into the holes in footboard corner posts (3) and (4) as shown.
- 2) Fit wooden dowels (B) into the holes in the ends of footboard panel (9) and top rail (6).
- 3) Assemble footboard panel (9) and top rail (6) to corner post (3) using fixings (E) and (F) as shown.
- 4) Assemble remaining corner post (4) to the opposite side of the footboard panel and top rail.

STEP-1



ASSEMBLY



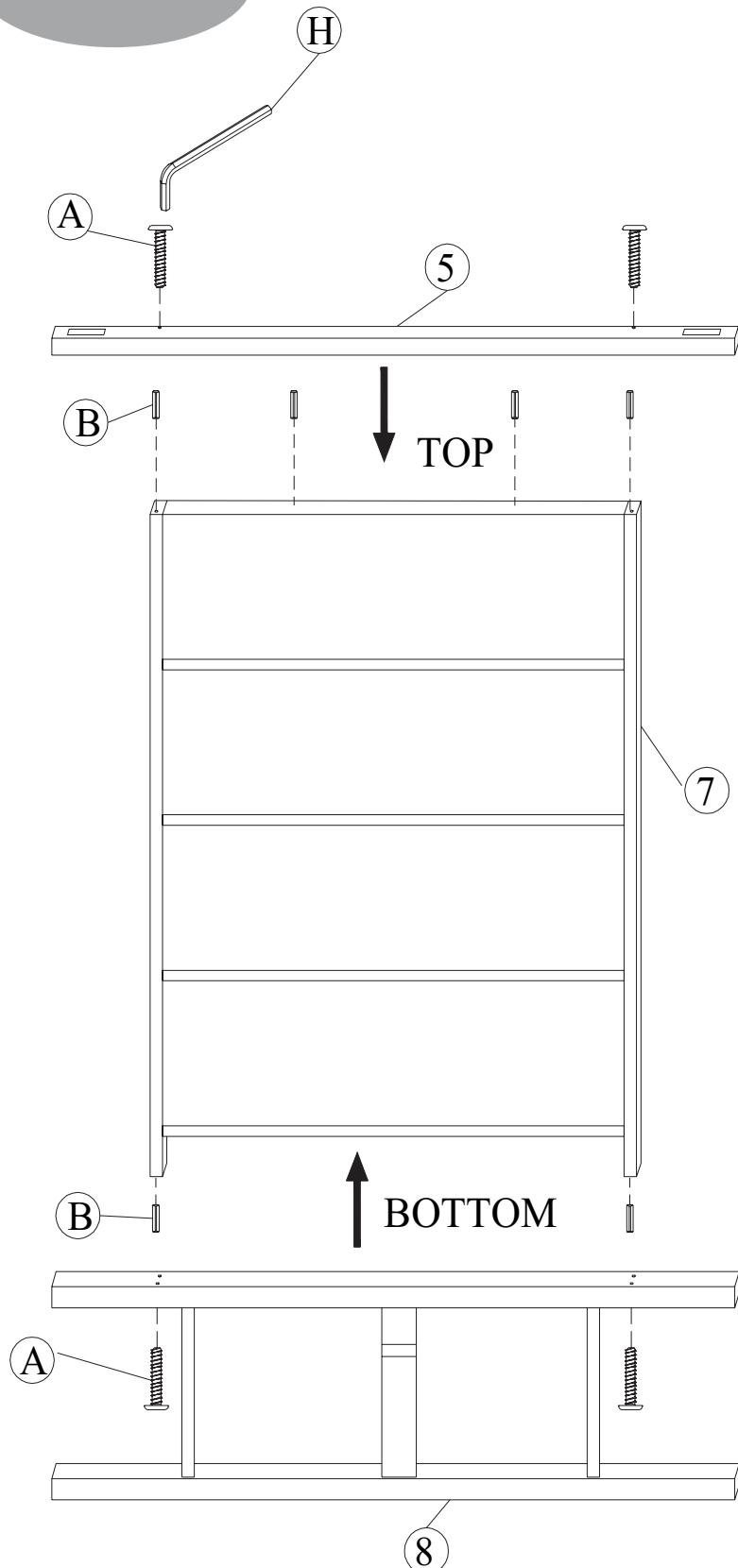
HEADBOARD

1) Fit wooden dowels (B) into the holes in the ends of headboard panel (7).

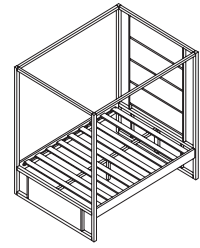
2) Assemble headboard top rail (5) to the top of panel (7) using fixings (A).

3) Assemble lower frame (8) to the bottom of panel (7) using fixings (A).

STEP-2



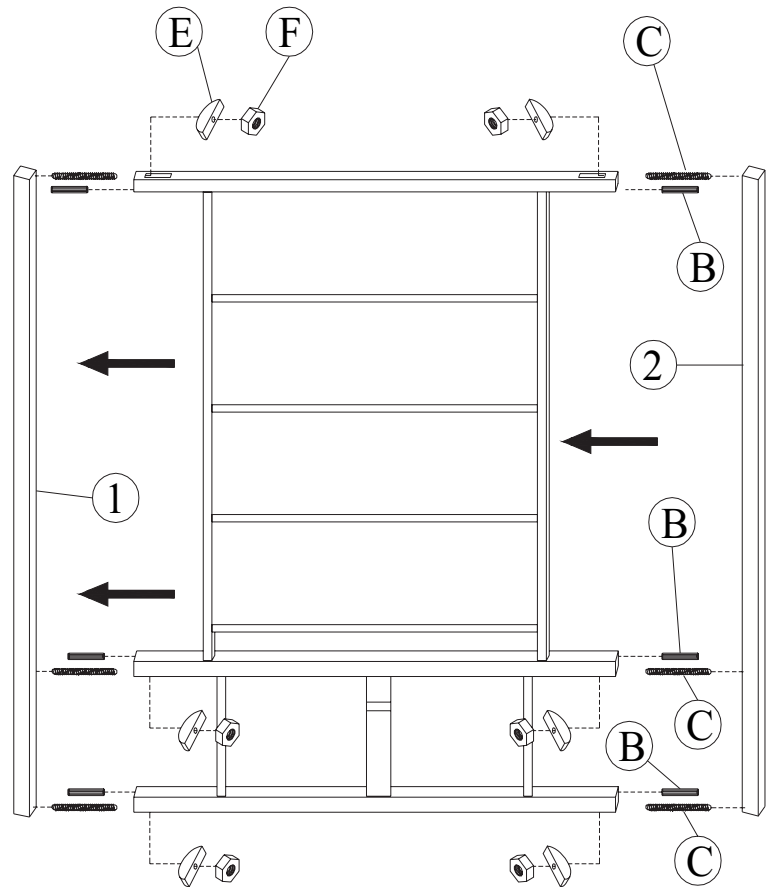
ASSEMBLY



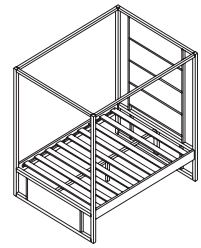
HEADBOARD

1) Repeat the assembly sequence described in step 1 to assemble the headboard panel in between the headboard corner posts ① and ②. Use fixings ③ ④ ⑤ and ⑥ to secure.

STEP-3



ASSEMBLY

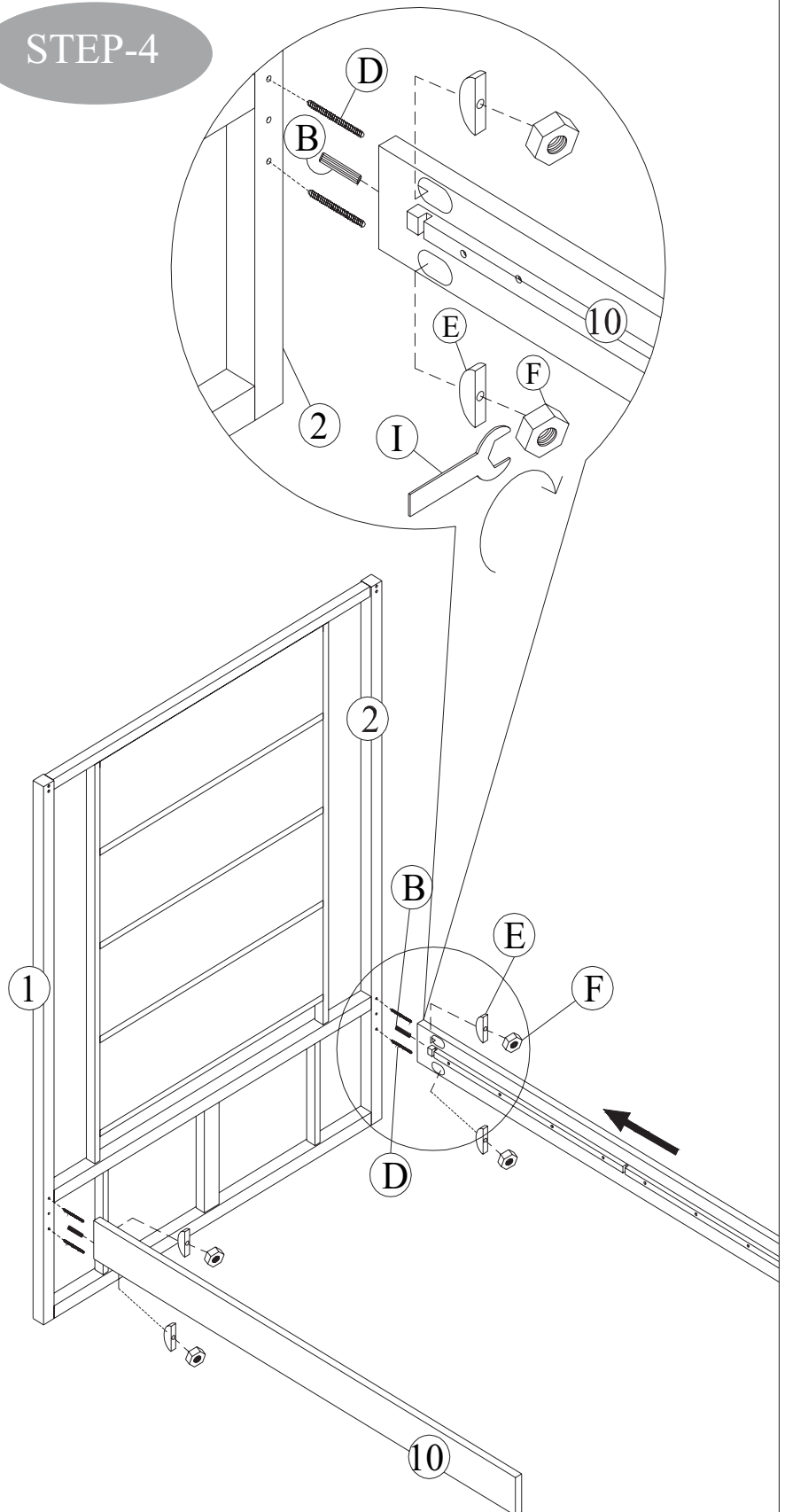


IMPORTANT

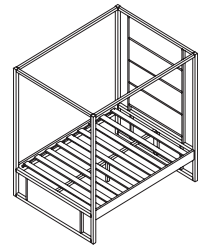
The following assembly must be performed with the headboard frame standing upright.

- 1) Fit wooden dowels (B) into the ends of side rails (10).
- 2) Screw threaded rods (D) into the holes in corner posts (1) and (2).
- 3) Secure side rails (10) to headboard using fixings (E) and (F).

STEP-4



ASSEMBLY

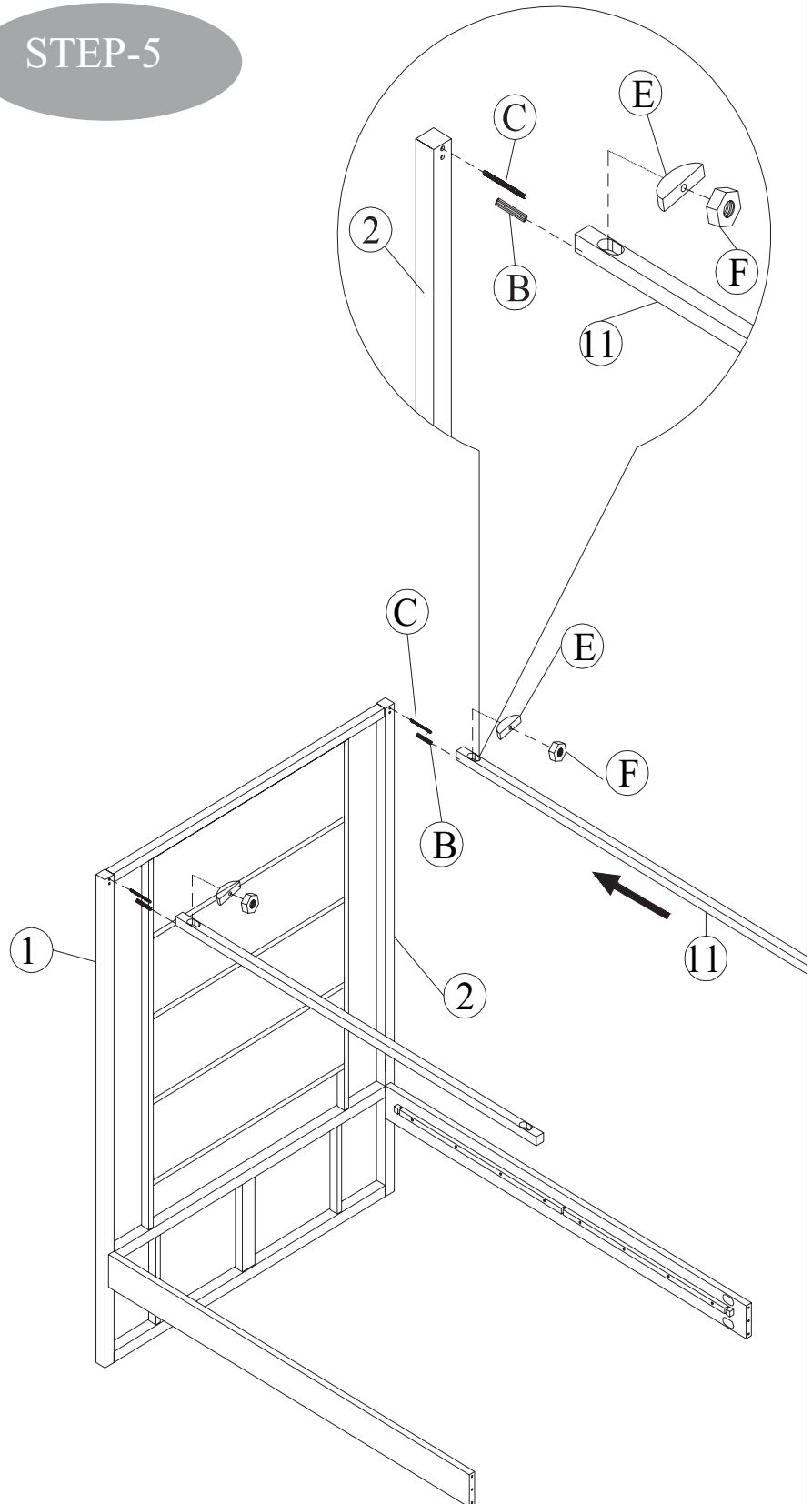


1) Fit wooden dowels (B) into the ends of top rails (11).

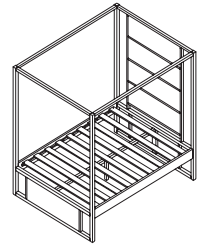
2) Screw threaded rods (C) into the holes at the top of corner posts (1) and (2).

3) Secure top rails (11) to the headboard using fixings (E) and (F).

STEP-5

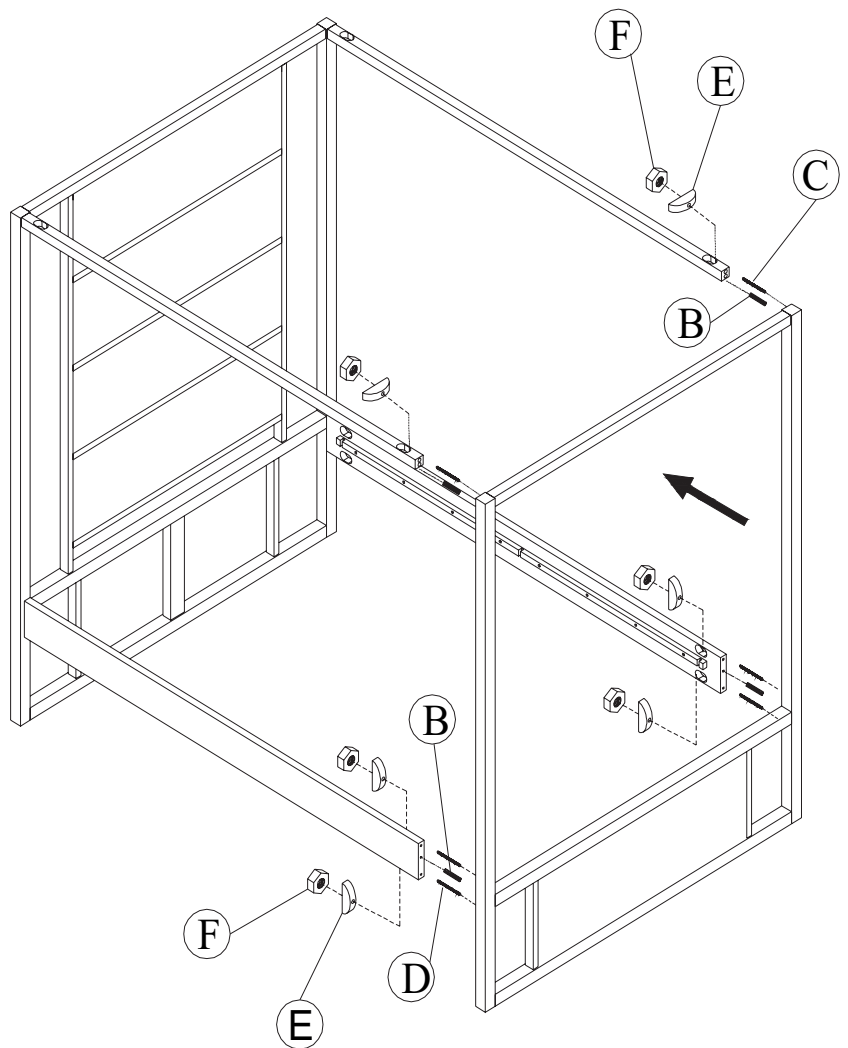


ASSEMBLY

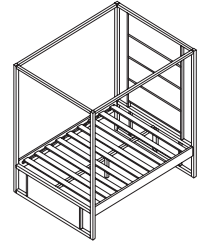


STEP-6

1) Repeat the assembly method described in steps 4 and 5 to assemble the footboard frame.

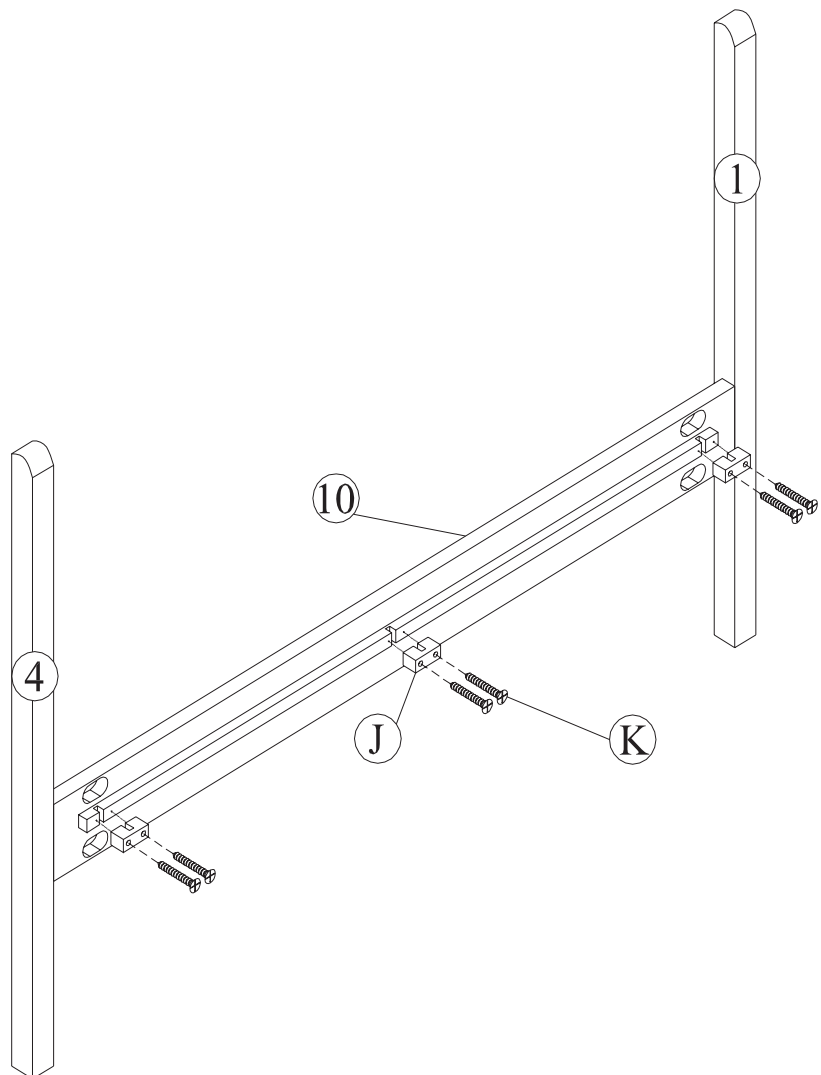


ASSEMBLY

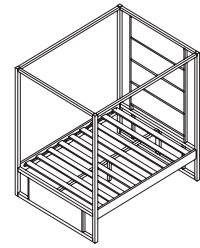


1) Assemble slat support blocks (J) to the inside of side rails (10) using fixings (K) .

STEP-7



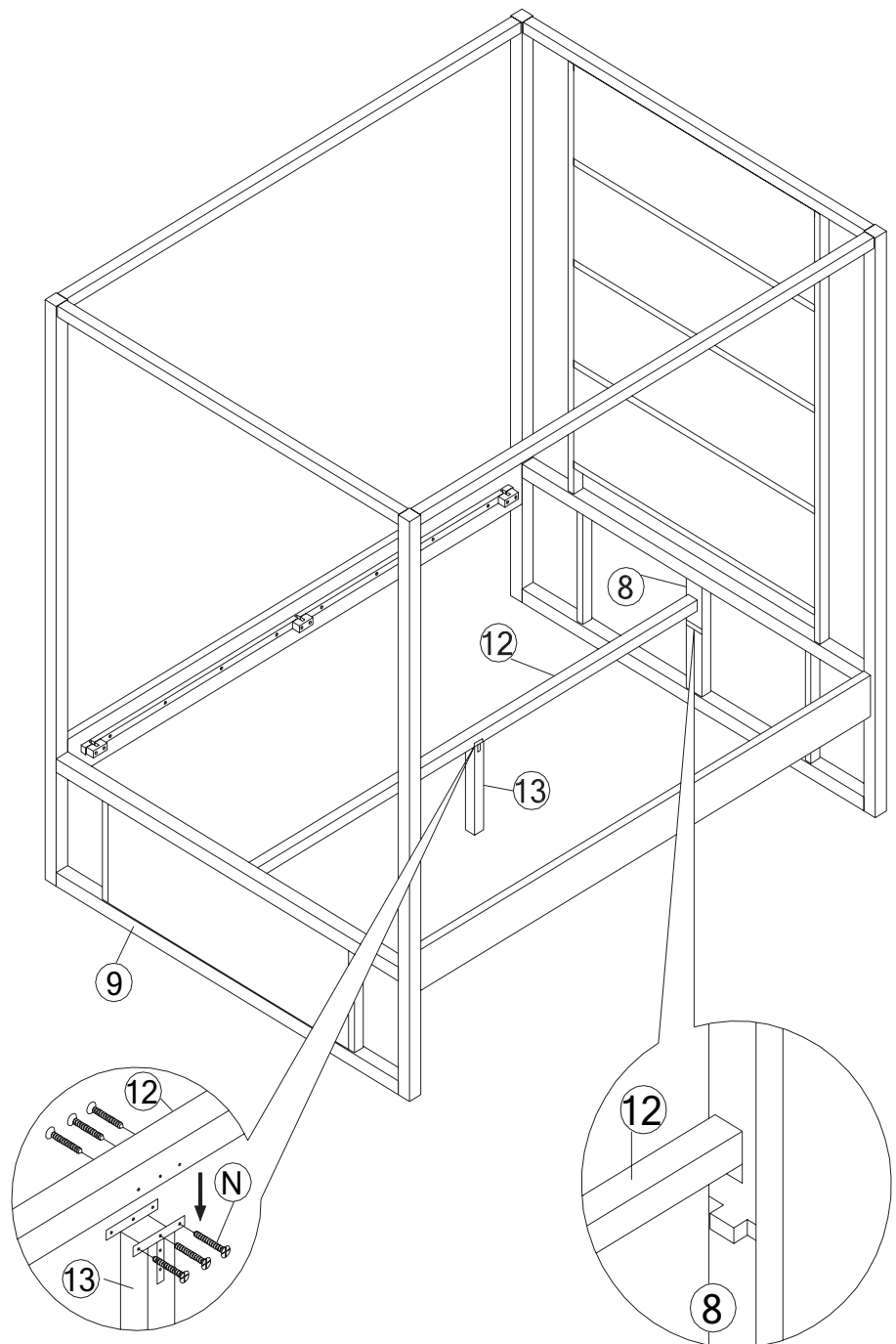
ASSEMBLY



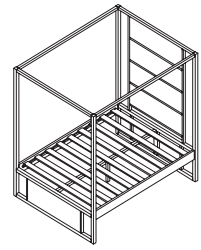
1) Assemble support leg ⑬ to central support ⑫ using fixings ①.

2) Locate central support ⑫ in between the headboard and footboard, by locating the metal plates into the brackets on lower frame ⑧ and footboard panel ⑨.

STEP-8

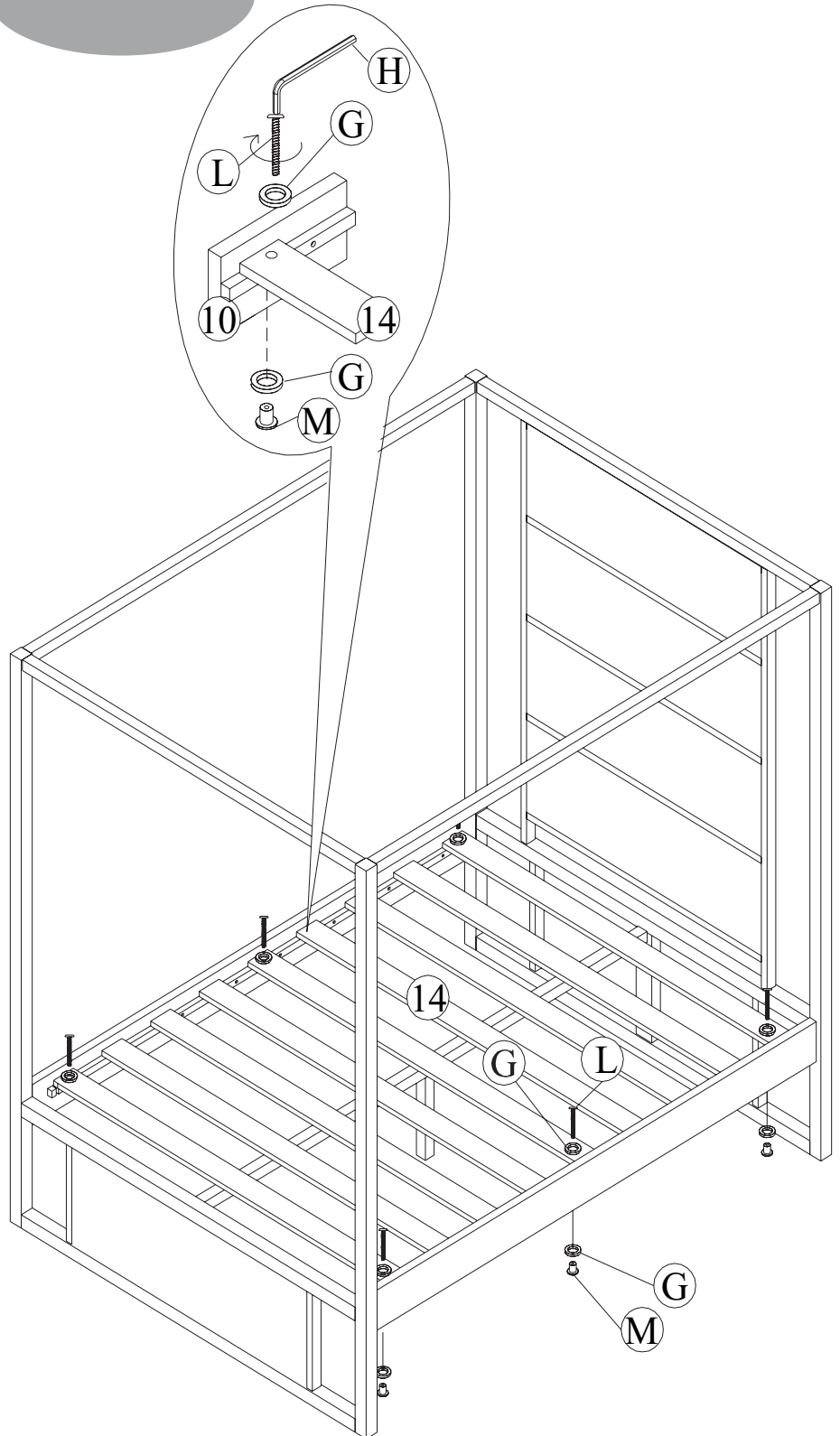


ASSEMBLY



1) Place the wooden slat base (14) in between the side rails and secure using fixings (G) (L) and (M).

STEP-9



Customer Information

Solid wood / real wood veneers

This product has been finished using natural materials. As a living material you may notice some variation in the grain and colour shade between the different component parts.

Unlike a synthetic or man-made material which has a uniform finish, a feature of natural wood is its variation in grain and colour. We wish to reassure you that this is quite normal, and is not the result of any manufacturing fault.

Where sheets of veneer are joined together a line may be detected. Again, this is normal and is not an imperfection.

The natural finish should be cared for by the periodic application of a good quality 'wax' based domestic furniture polish (not silicone). Occasional small spills should be removed immediately using a damp cloth.

Do not allow hot articles to come into contact with the surface as damage will occur!

Should you require any further information please contact our customer services department on 01799 513466.

Customer Support

We have taken great care to ensure this item arrives complete and in good condition. Please unpack each piece carefully and confirm that all parts listed are available.

In the unlikely event that any of smaller parts are missing or damaged, then we undertake to replace them as soon as possible.

To secure missing or damaged parts, or to seek further assembly or product related advice, you can contact our customer services department by email at:

cs@justwise.com

Alternatively if you prefer to speak to our customer services staff, please telephone 01799 513466

(Note: the company reserves the right to modify the design, construction, colour and price without prior notice.)

Justwise Group Ltd
6 The Shires
Shirehill Industrial Estate
Saffron Walden
Essex
CB11 3AP

Email:cs@justwise.com

Tel : 01799 513466
Fax : 01799 525657