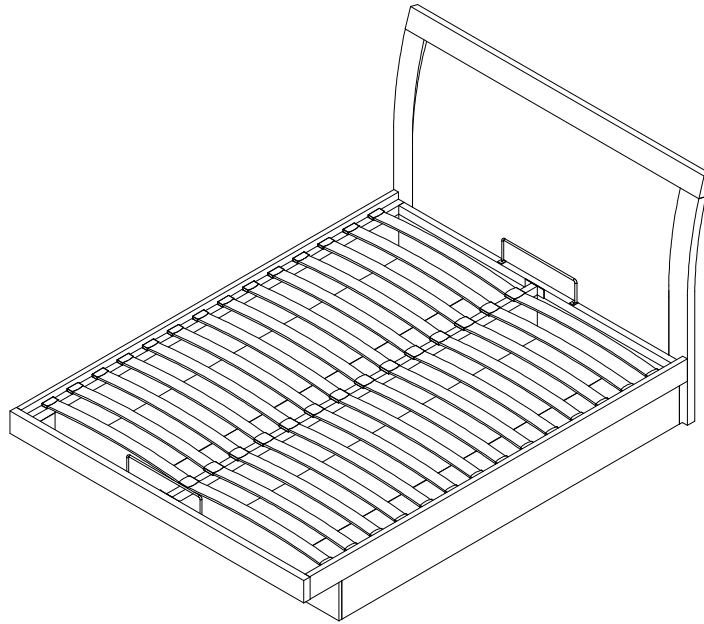


Angelina Bed

Assembly Instructions



Minimum No. of people recommended to assemble this product:

2

Approx assembly time:

1
hour

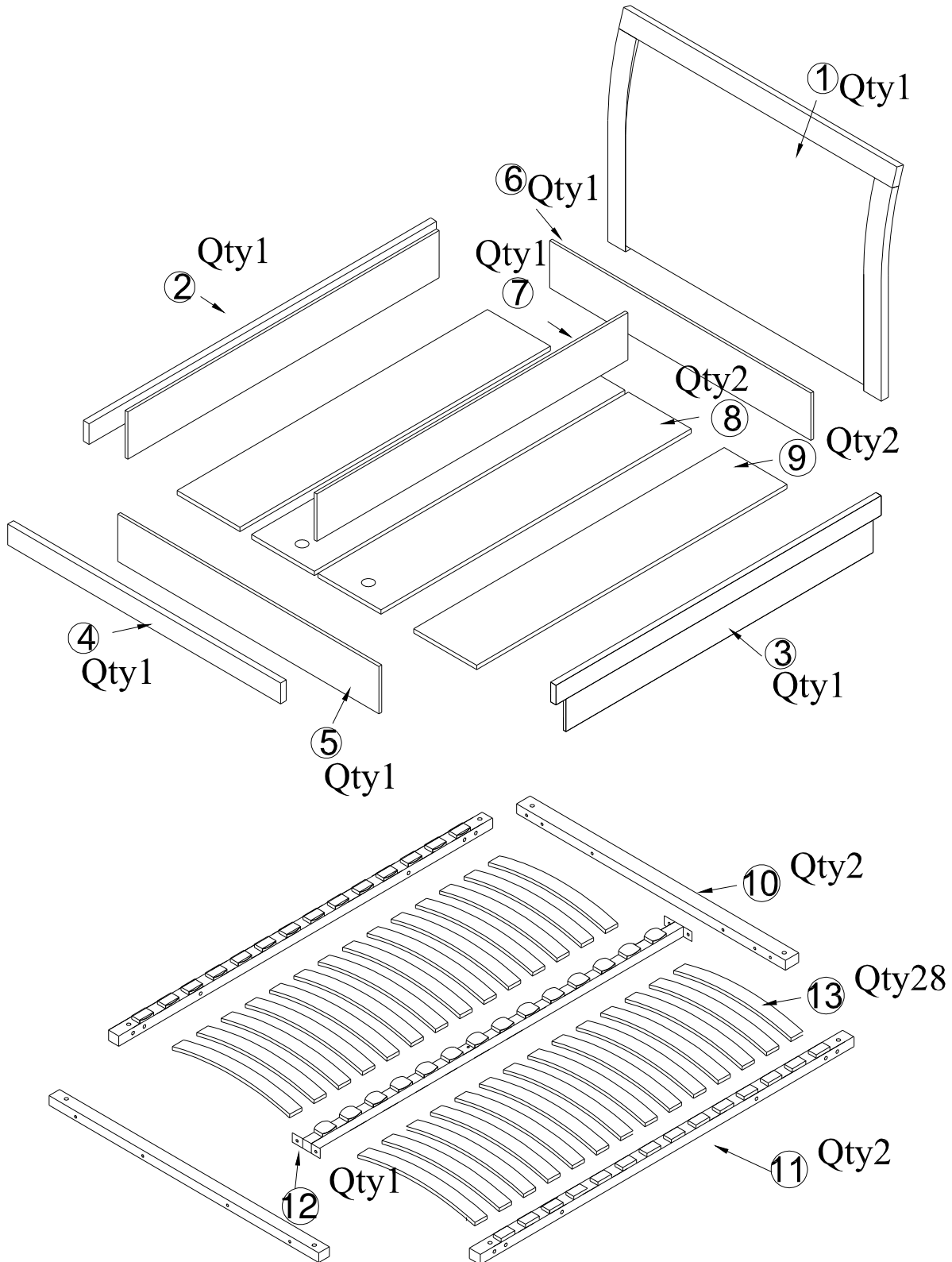
Before you Start, here is some helpful advice

1. We suggest you spend a short time reading through this leaflet and then follow the simple step by step instructions.
2. If you follow the instructions carefully the end result should be worth the effort.
3. Do not discard any of the packaging until you have checked that you have all the parts and the pack of fittings.
4. Assemble this product on a carpet.
5. To ensure an easier assembly, we strongly advise that all fittings are only finger tightened during initial assembly. Only upon completion of the assembly should all fixing points be fully tightened.
6. We recommend a periodic check on all fixing points to make sure they remain fully tightened.
7. Keep glue and fittings out of children's reach.

In the unlikely event that this product has missing or damaged parts, please call 08703 333612 to obtain spares.

Component parts contained in the box

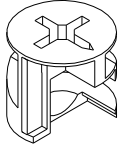
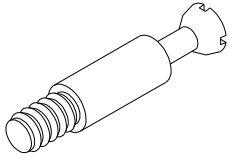
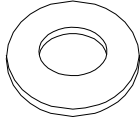
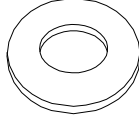
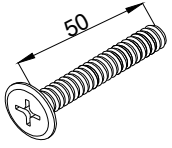
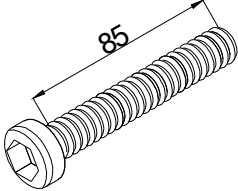
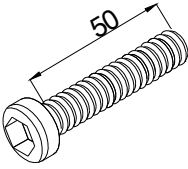
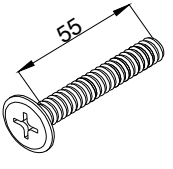
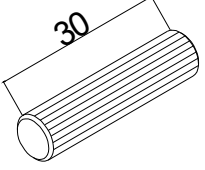
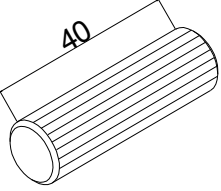
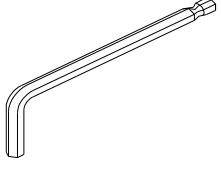
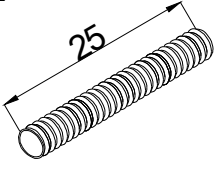
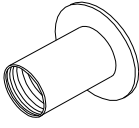
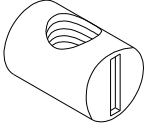
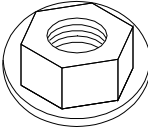
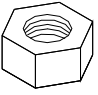

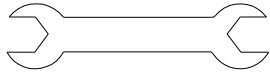
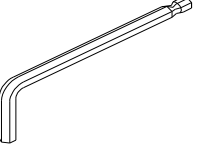
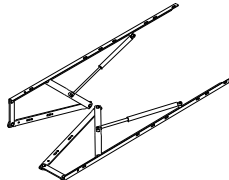
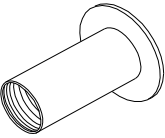
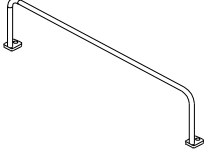
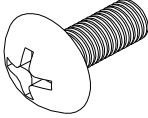
PARTS



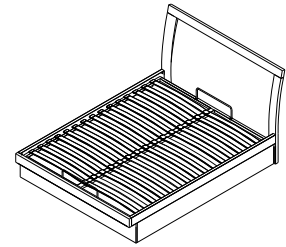
Fittings contained in the box

Fittings

Please note: The assembly kit is contained in three packs: two kits are in box number 2, one kit is in box 4

<p>A</p>  <p>QTY : 16 PCS-040-00767</p>	<p>B</p>  <p>QTY : 16PCS-040-00768</p>	<p>C</p>  <p>QTY : 4 PCS-040-00769</p>	<p>D</p>  <p>QTY : 4 PCS -040-00770</p>
<p>E</p>  <p>QTY : 6 PCS-040-00771</p>	<p>F</p>  <p>QTY : 4 PCS-040-00772</p>	<p>G</p>  <p>QTY : 8 PCS-040-00773</p>	<p>H</p>  <p>QTY : 4 PCS-040-00774</p>
<p>I</p>  <p>QTY :12 PCS -040-00775</p>	<p>J</p>  <p>QTY : 4 PCS-040-00776</p>	<p>K</p>  <p>M5 QTY : 1 PC-040-00777</p>	<p>L</p>  <p>QTY : 2 PCS-040-00778</p>
<p>M</p>  <p>QTY : 4 PCS-040-00779</p>	<p>N</p>  <p>QTY : 4 PCS-040-00780</p>	<p>O</p>  <p>QTY : 10 PCS -040-00781</p>	<p>P</p>  <p>QTY : 4 PCS-040-00782</p>
<p>Q</p>  <p>Use on wood dowels</p> <p>QTY : 1 PC-040-00783</p>	<p>R</p>  <p>QTY : 1 PC-040-00784</p>	<p>S</p>  <p>M4 QTY : 1 PC -040-00785</p>	<p>T</p>  <p>QTY : 1 PC EACH-</p>
<p>U</p>  <p>QTY : 8 PCS-040-00786</p>	<p>V</p>  <p>QTY : 2 PCS-040-00148</p>	<p>W</p>  <p>QTY : 8 PCS-040-00787</p>	

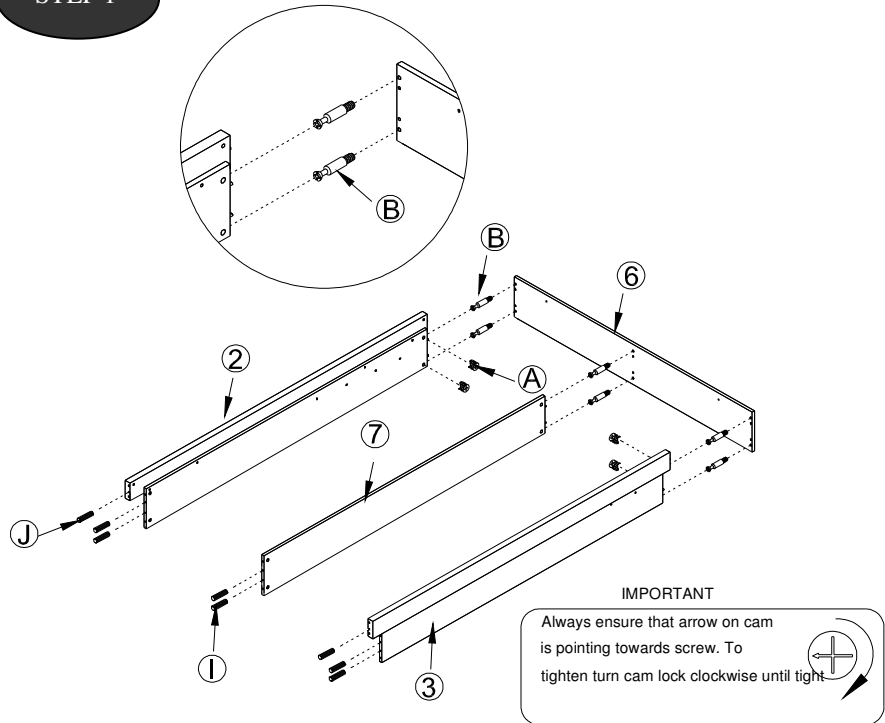
ASSEMBLY



- 1) Fit wood dowels J into holes in the ends of side rails 2 and 3.
Fit wood dowels I into the holes in the end of the centre rail 7.

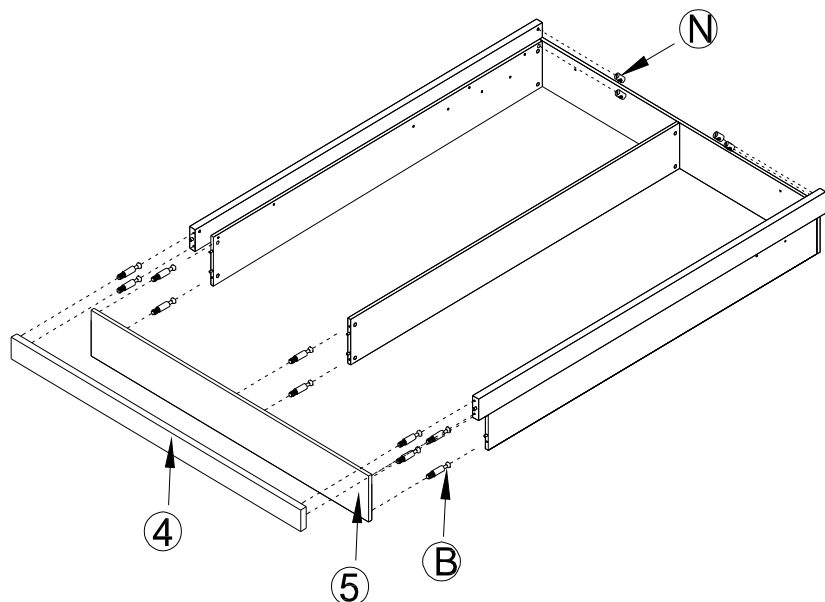
STEP 1

- 2) Screw metal cam studs B into headboard panel 6.
- 3) Insert metal cam nuts A into the large holes in one end of side rails 2, 3 and centre rail 7.
- 4) Assemble side rails 2, 3 and centre rail 7 to headboard panel 6 and secure by tightening cam locks, as shown.

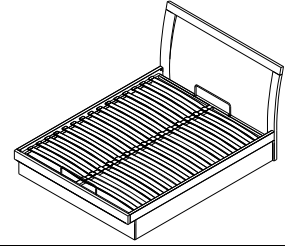


- 1) Assemble side rails 2, 3 and centre rail 7 to the footboard panels 4 and 5. Secure by tightening the cam locks in the same way as described in step 1.
- 2) Insert nuts N into holes in side rails 2 and 3. Ensure the holes in nuts N are horizontal facing

STEP 2

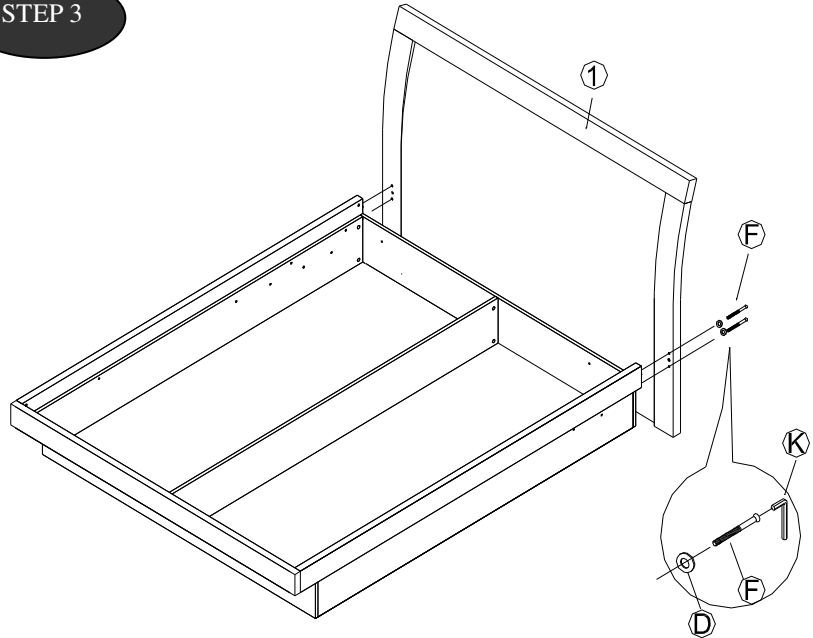


ASSEMBLY



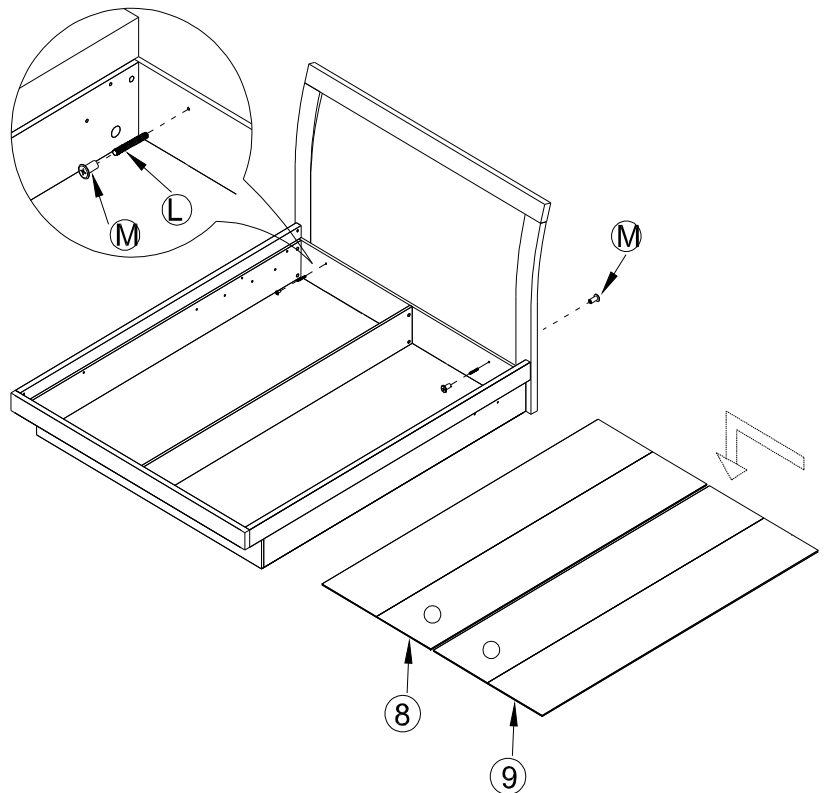
1) Assemble headboard 1 by threading screws F through washers D and the holes in headboard 1 into the corresponding holes in side rails 2 and 3, until they screw into the holes in nut N. Tighten using Allen key K

STEP 3

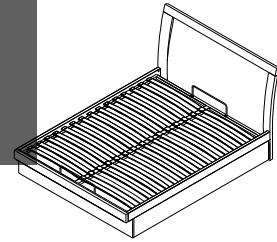


1) Further secure headboard 1 to the headboard panel 6 by threading screw L through the holes both in headboard 1 and headboard panel 6 and tightening nuts N at both ends.
Position base boards 8 and 9 into the bed frame.

STEP 4



ASSEMBLY

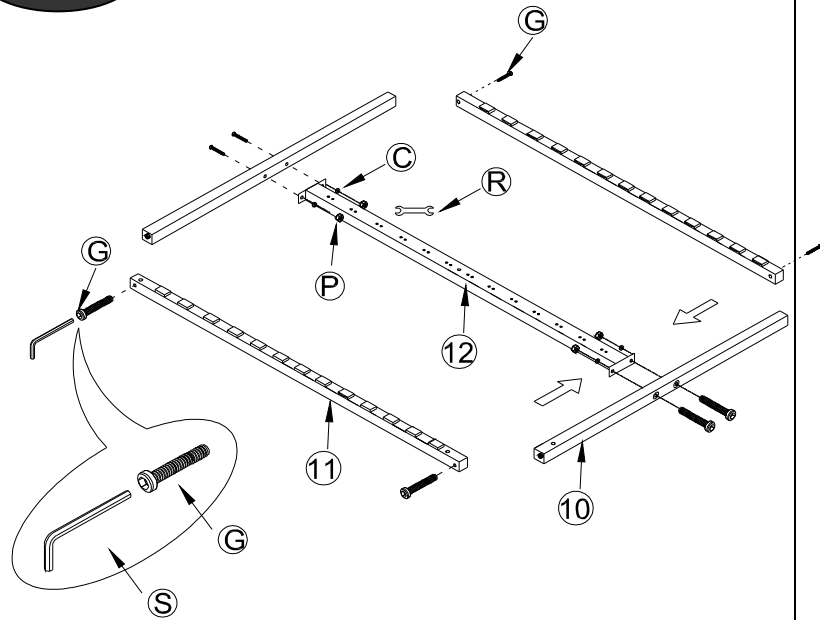


Construct the slat frame as follows:

1) Bolt head/foot bars 10 to the centre rail 12 using screws G, washers C and nuts P as shown.

2) Secure the side bars 11 by threading screws G into the corresponding holes in the head/foot bars 10. Tighten, using Allen key S.

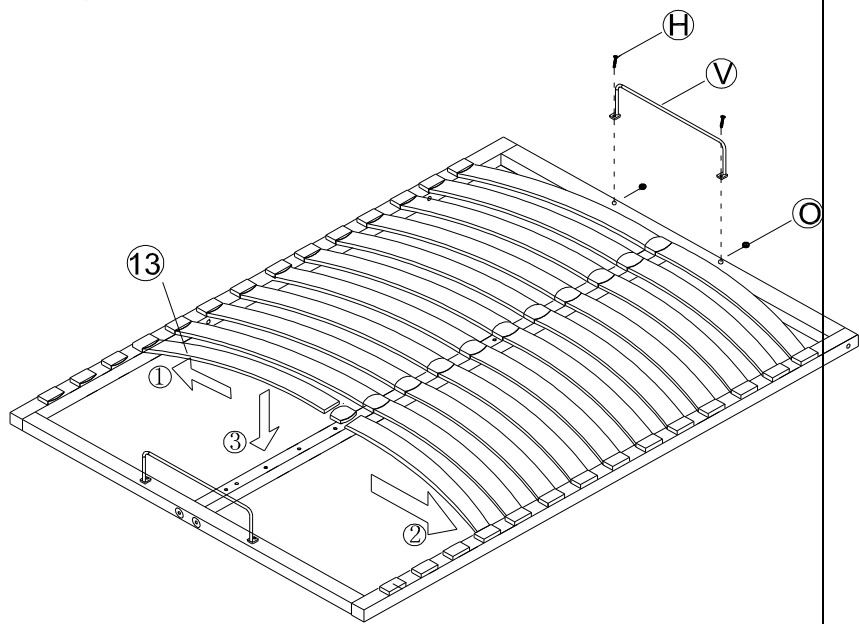
STEP 5



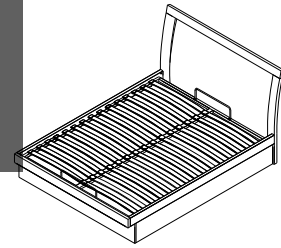
1) Fit the mattress support rails V to the slat frame. Secure with screws H and nuts O. Tighten with a small spanner.

2) Fit the slats to the slat frame by:
a) Pushing the end caps into the holes in both side bars 11.
b) One by one, slot each slat into the end caps at either side first.
c) Slot a slat from each side into a centre cap.
d) Finally, carefully push the centre cap, with both slats fitted into the holes in the centre rail.

STEP 6

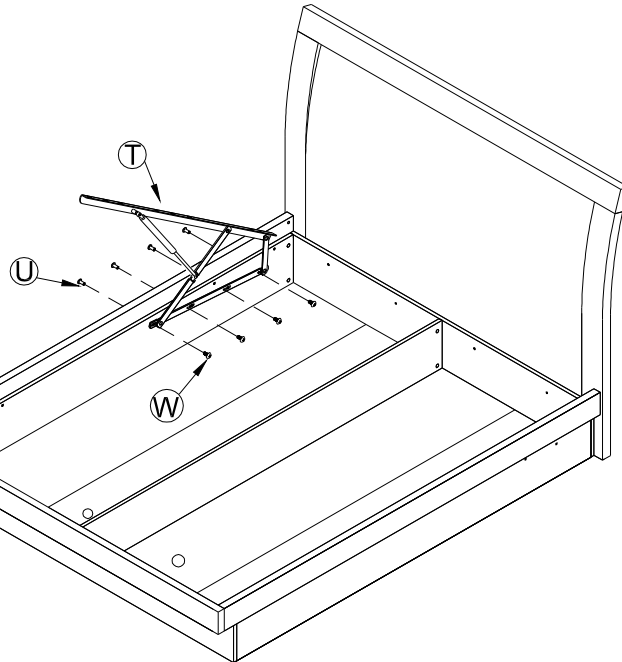


ASSEMBLY



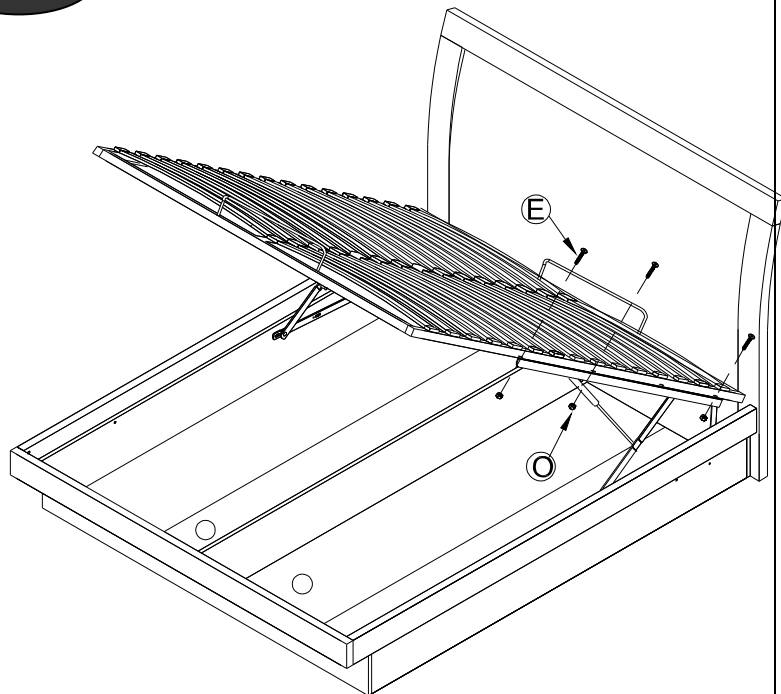
- 1) Secure the support arms T to the side rails, by threading screws W and the side rails and into JCN nuts U.

STEP 7



- 1) Two people carefully lower the slat frame onto the support arms T. Secure by threading screws E through the holes in the slat frame and the corresponding holes in the support arms T. Screw nuts O onto screws E as shown. Tighten using a spanner

STEP 8



FINALLY ENSURE THAT ALL FITTINGS ARE FIRMLY TIGHTENED

Customer Information

Solid wood /real wood veneers

This product has been finished using natural materials. As living material you may notice some variation in the grain and colour shade between the different component parts.

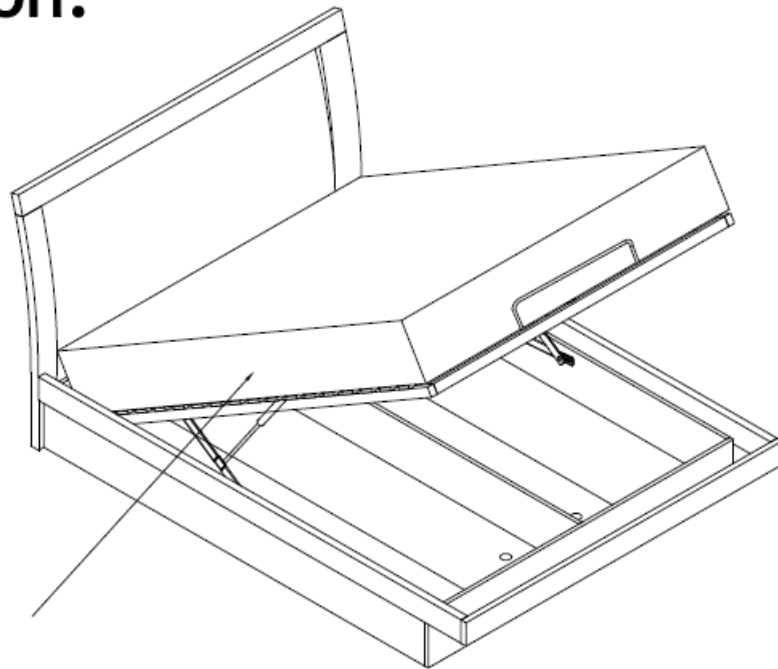
Unlike a synthetic or man-made material which has a uniform finish , a feature of natural wood is its variation in grain and colour .We wish to reassure you that this is quite normal , and is not the result of any manufacturing fault.

Where sheets of veneer are joined together a line may be detected .Again , this is normal and is not an imperfection .

The natural finish should be cared for by the periodic application of a good quality 'wax' based domestic furniture polish (not silicone). Occasional small spills should be removed immediately using a damp cloth.

Do not allow hot articles to come into contact with the surface as damage will occur !

Attention:



Mattress must be put on bedstead before pulling down!!