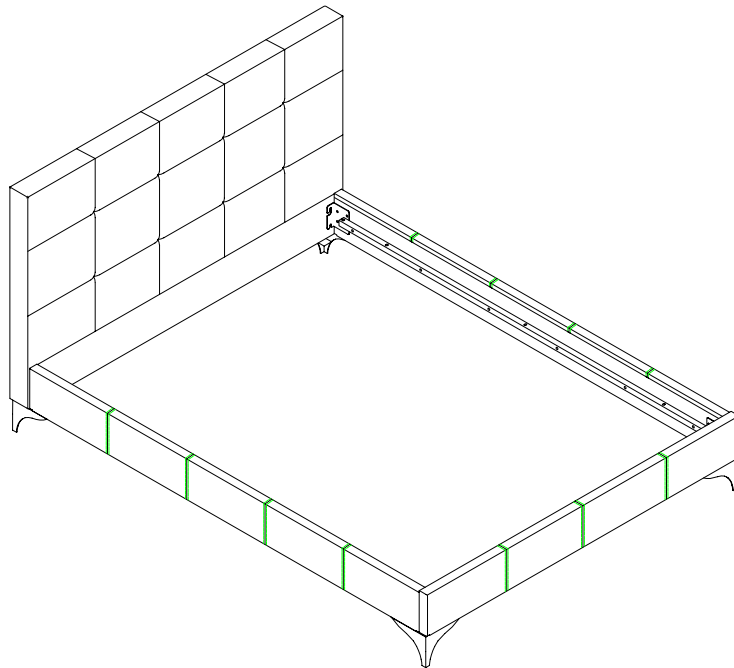




MONTE CARLO BED

Assembly Instructions



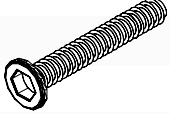
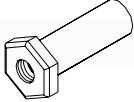
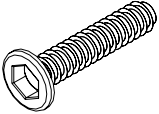



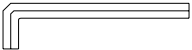

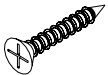
NOTE: It will require two people to assemble this bed. Assembly should be carried out in the room that the bed will be used in.

**Before you
Start, here
is some
helpful advice**

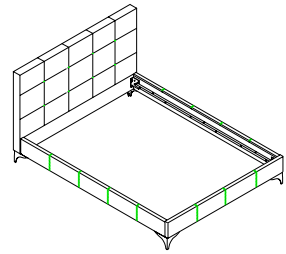
1. We suggest you spend a short time reading through this leaflet and then follow the simple step by step instructions.
2. If you follow the instructions carefully the end result should be worth the effort.
3. Do not discard any of the packaging until you have checked that you have all the parts and the pack of fittings.
4. Assemble this product on a carpet.
5. To ensure an easier assembly, we strongly advise that all fittings are only finger tightened during initial assembly. Only upon completion of the assembly should all fixing points be fully tightened.
6. We recommend a periodic check on all fixing points to make sure they remain fully tightened.
7. Keep glue and fittings out of children's reach.

In the unlikely event that this product has missing or damaged parts, please call 0870 3333 612 to obtain spares

Component parts and fittings contained in the box

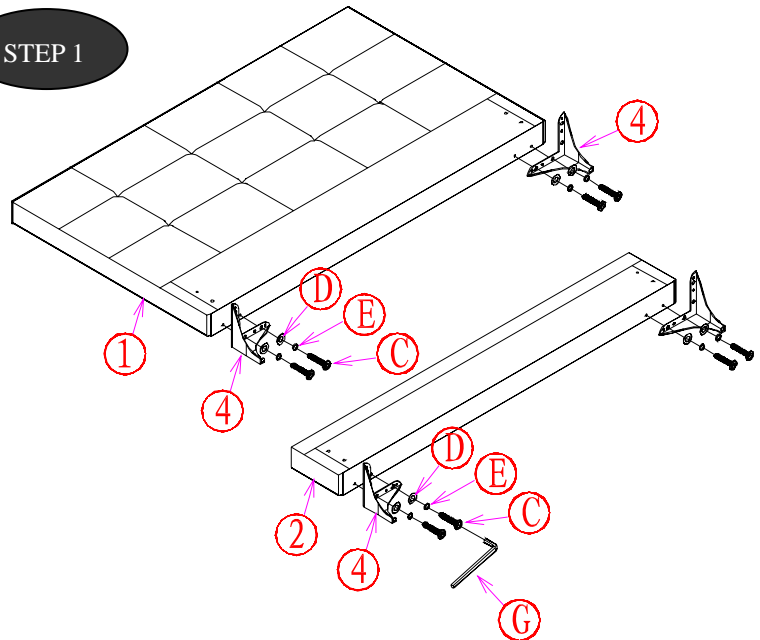
PARTS	Fittings
<p>① 1 piece</p> <p>② 1 piece</p> <p>③ 2 pieces</p> <p>④ 4 pieces</p>	<p>A</p>  <p>M6 x 35 Bolt 6pcs</p>
	<p>B</p>  <p>M6 x 22 Jcn Nut 6pcs</p>
	<p>C</p>  <p>M8x30 Bolt 8pcs</p>
	<p>D</p>  <p>Φ8 Washer 8pcs</p>
	<p>E</p>  <p>Φ8 Spring washer 8pcs</p>
	<p>F</p>  <p>4MM Allen wrench 1pc</p>
	<p>G</p>  <p>5MM Allen wrench 1pc</p>
	<p>H</p>  <p>Spanner 1pc</p>
	<p>I</p>  <p>Φ4x20 Screw 8pcs</p>

ASSEMBLY



1) Using bolts "C", washers "D&E" to fix the leg "4" onto the head & footboard "1&2".

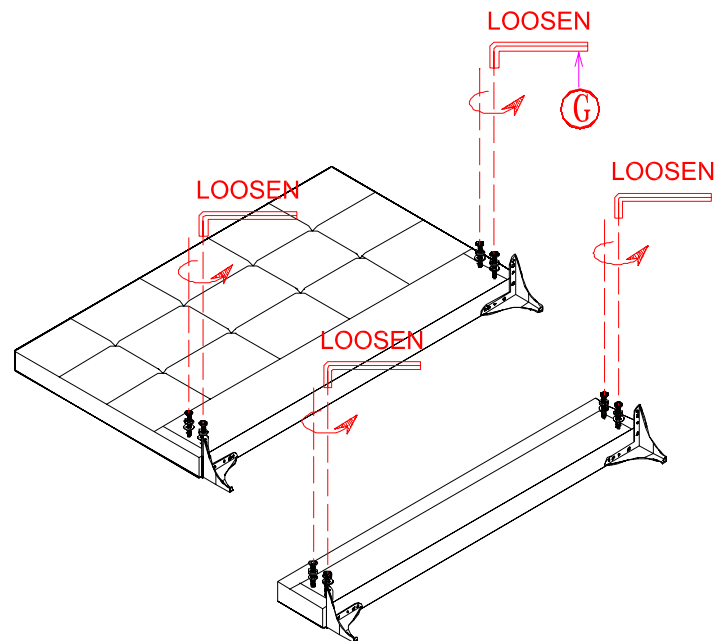
STEP 1



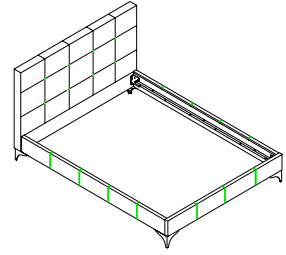
1) Loosen the bolts from the headboard "1" and footboard "2".

NOTE: Merely loosen the bolts, do not take out.

STEP 2

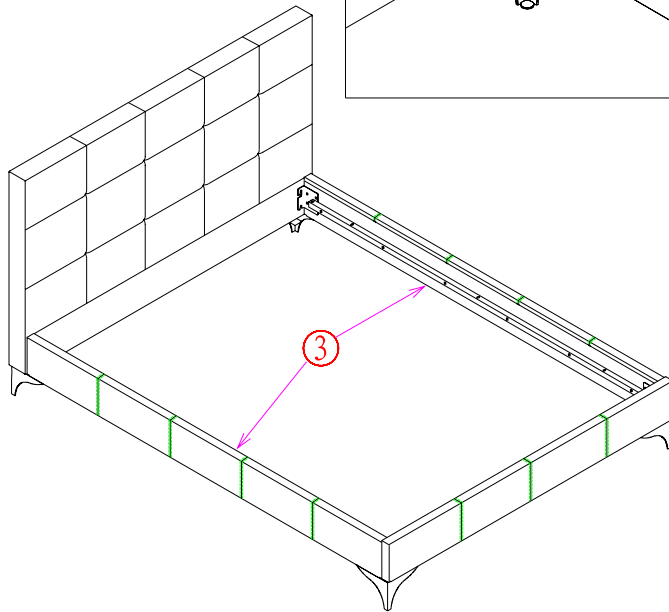
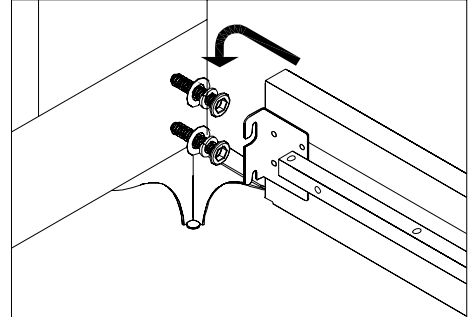


ASSEMBLY



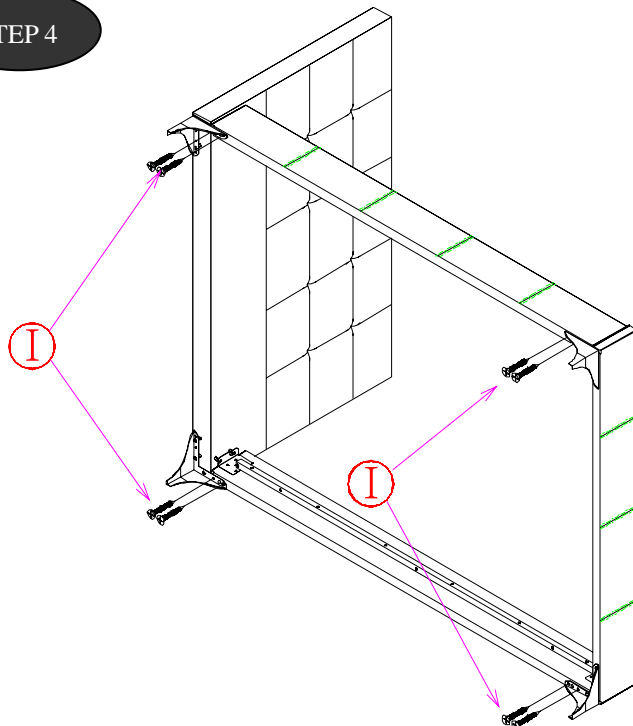
1) Fit the side rail "3" to the head & Footboard "1" & "2" slotting the pre-fitted brackets together as shown.

STEP 3

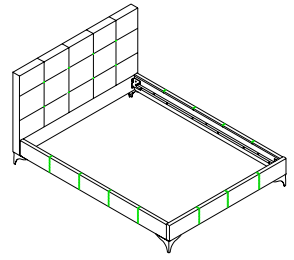


1) Using Screws "I" to fix the leg "4" onto the side rail "3".

STEP 4



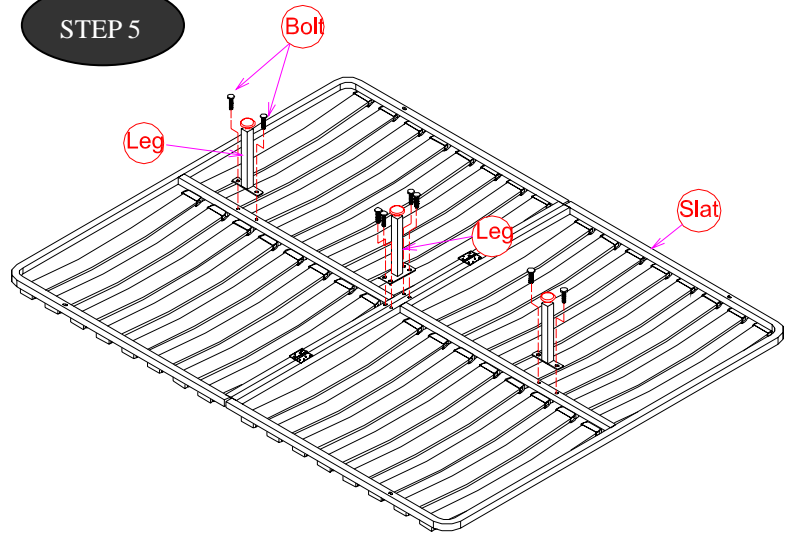
ASSEMBLY



NOTE: Slats not supplied shown for reference only.
Both slats on “step 5---step 7” can be assembled to the bedstead. you can to make a choice between the two slats.

1) Use the bolt to fix the leg onto the slats frame.

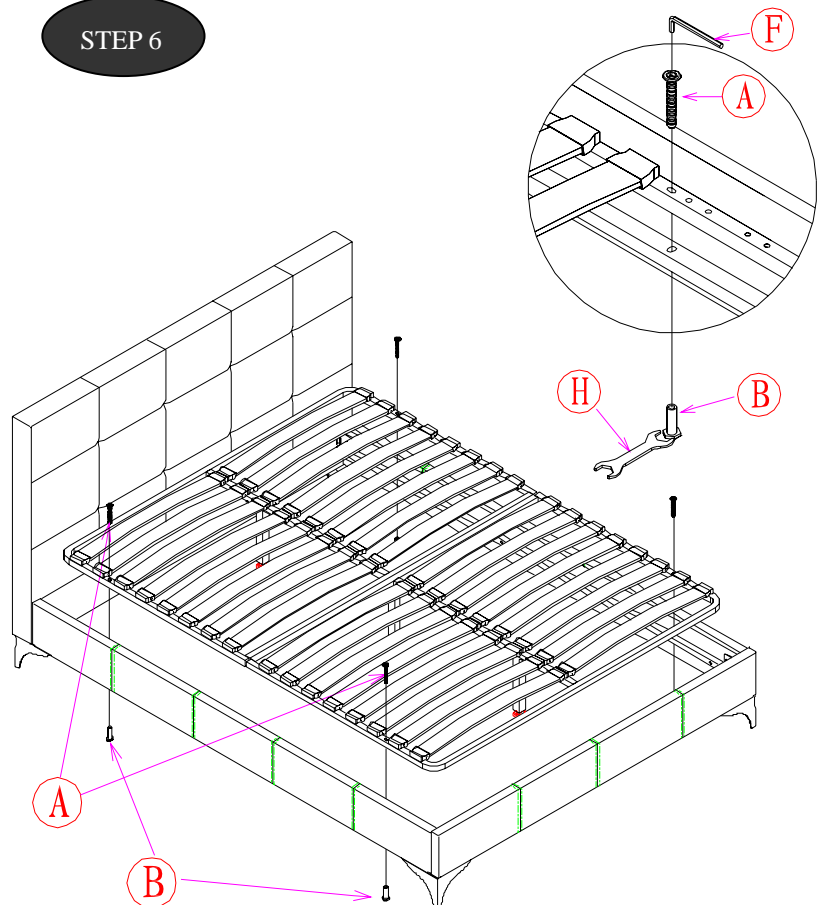
STEP 5



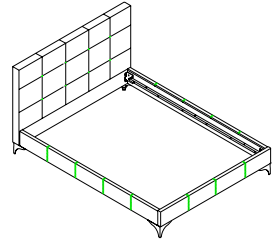
1) Carefully locate the slats frame onto the bed.

2) Use bolt “A” and Jcn nut “B” to fix the Slats frame onto the bed.

STEP 6



ASSEMBLY



STEP 7

1) Carefully locate the slats frame onto the bed.

2) Use bolt "A" and Jcn nut "B" to fix the Slats frame onto the bed.

