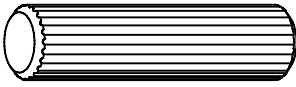


Component parts and fittings contained in the box.

Please sort out all parts before you begin to assemble the item. This to make sure you always use the correct part.

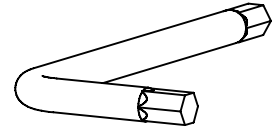
Fittings

A 6 pcs. Dowel - $\varnothing 10 \times 40\text{mm}$



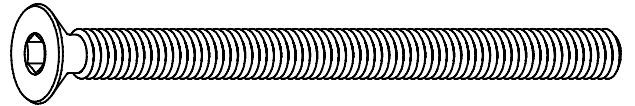
305 / 0003

C 1 pcs. Allen key - 4mm



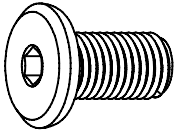
309 / 0002

E 4 pcs. Screw - M6 x 80mm



304 / 0048

F 8 pcs. Bolt - M8 x 15mm



304 / 0047

G 4 pcs. Screw - $\varnothing 3,5 \times 25\text{mm}$



302 / 0005

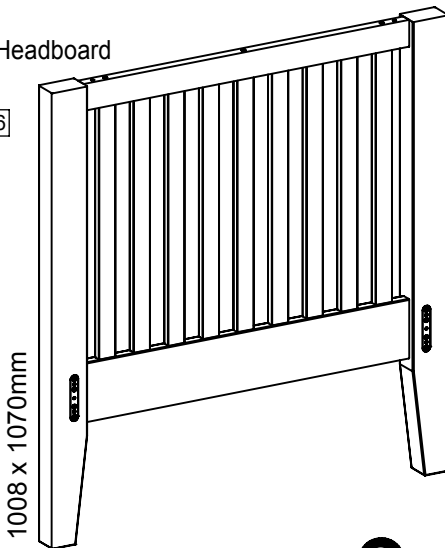
Hazard Warning !
Keep small components
out of the reach of
children.

Parts

1 Headboard

1 pcs.

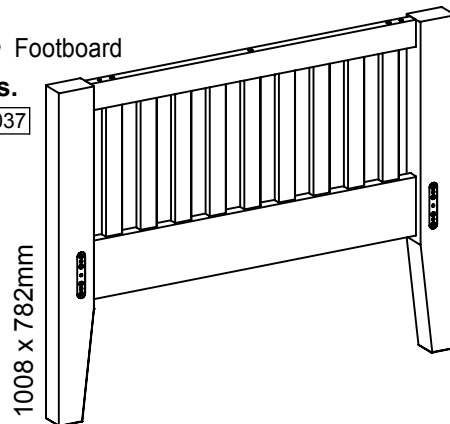
219 / 0036



2 Footboard

1 pcs.

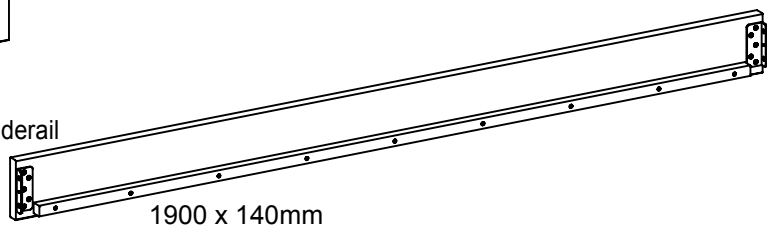
219 / 0037



3 Siderail

2 pcs.

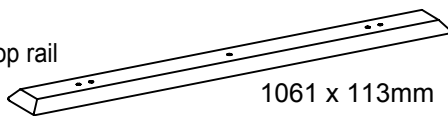
114 / 0186



4 Top rail

2 pcs.

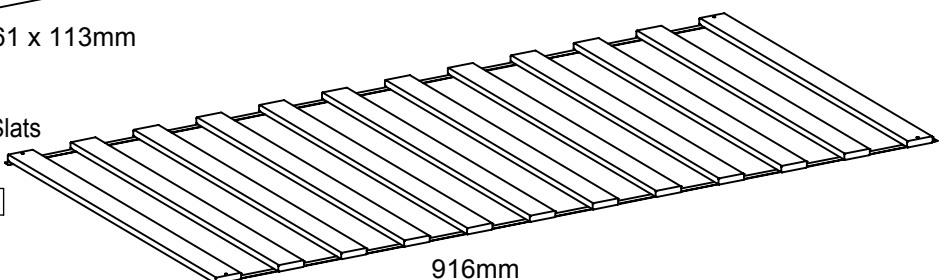
114 / 0190



5 Slats

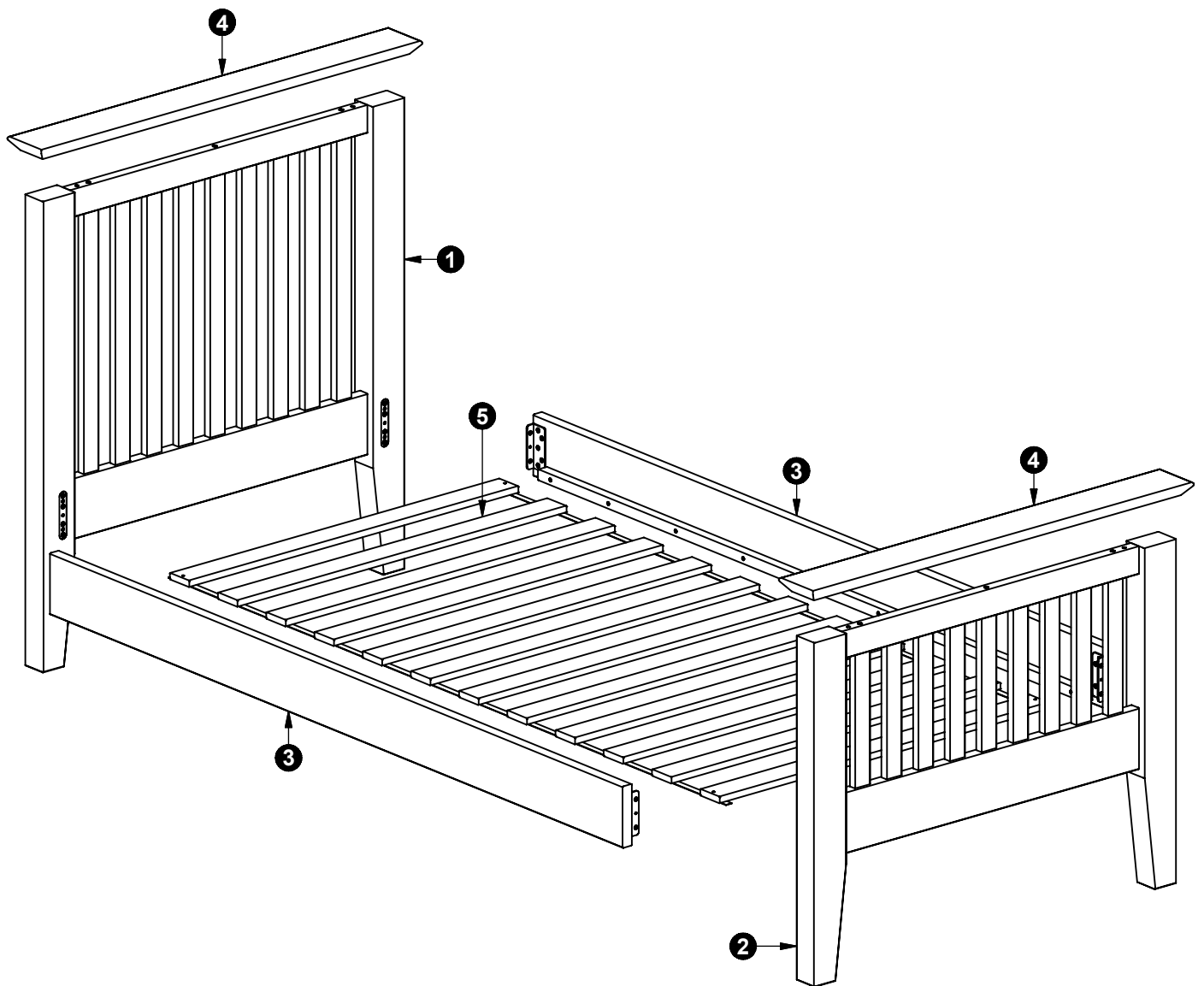
1 pcs.

114 / 0191

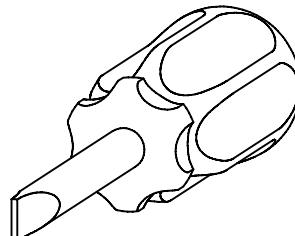
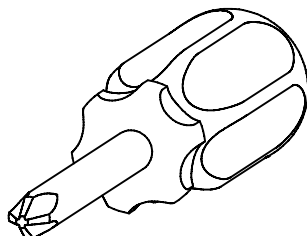
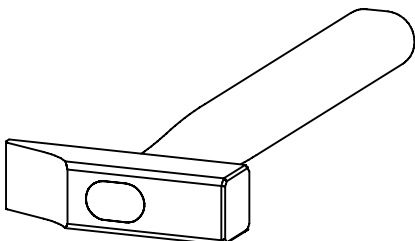


Key diagram and tools needed.

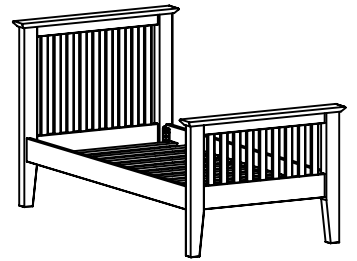
Key diagram.



Tools needed.



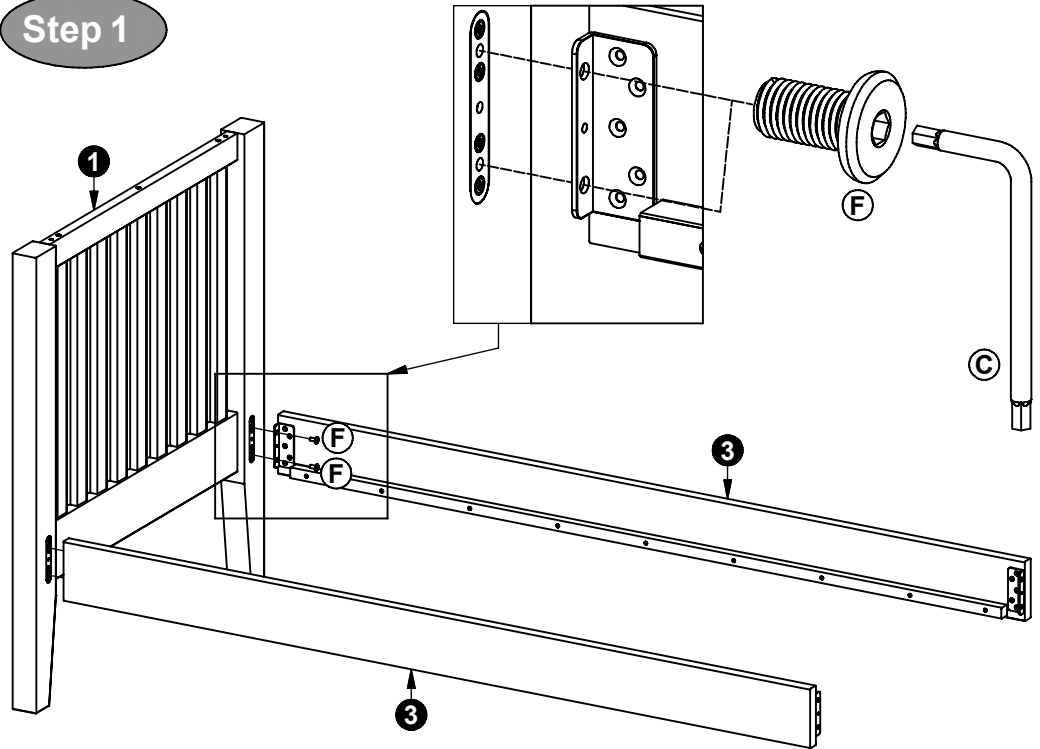
Assembly



Fix the siderails "3" to the headboard "1" using bolts "F" as shown.

Tighten the bolts using the allen key "C".

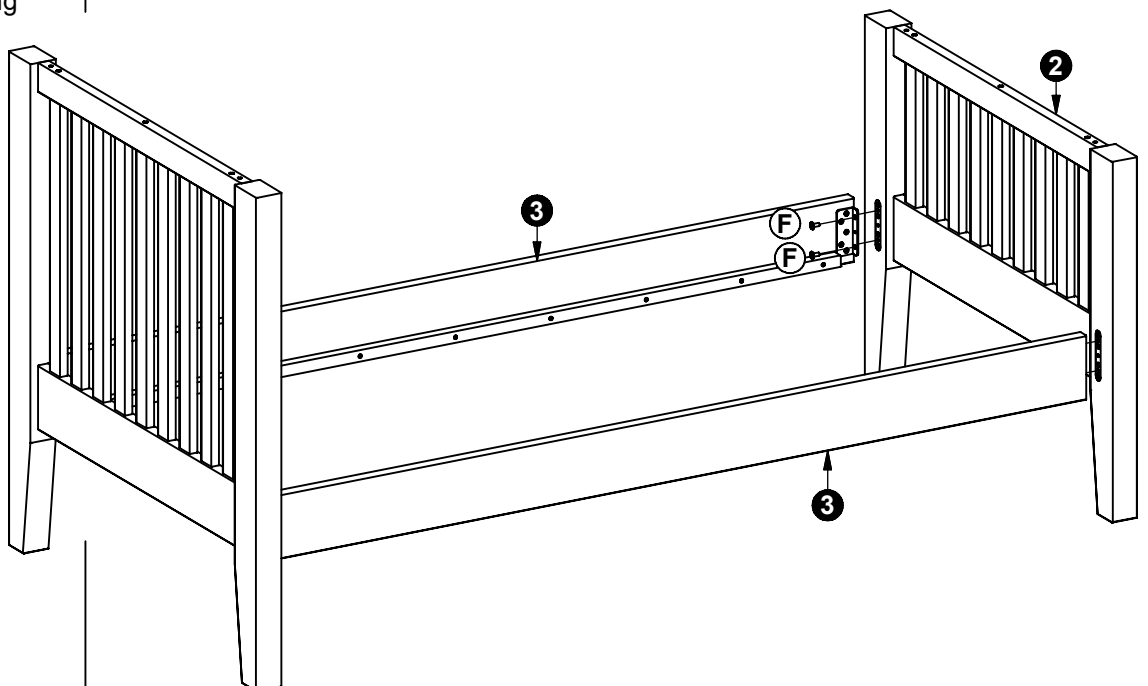
Step 1



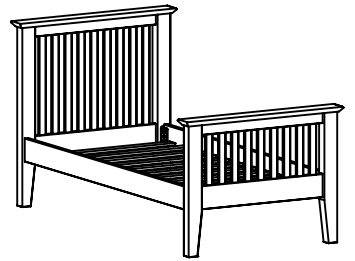
Fix the footboard "2" to the siderails "3" using bolts "F" as shown.

Tighten the bolts using the allen key "C".

Step 2

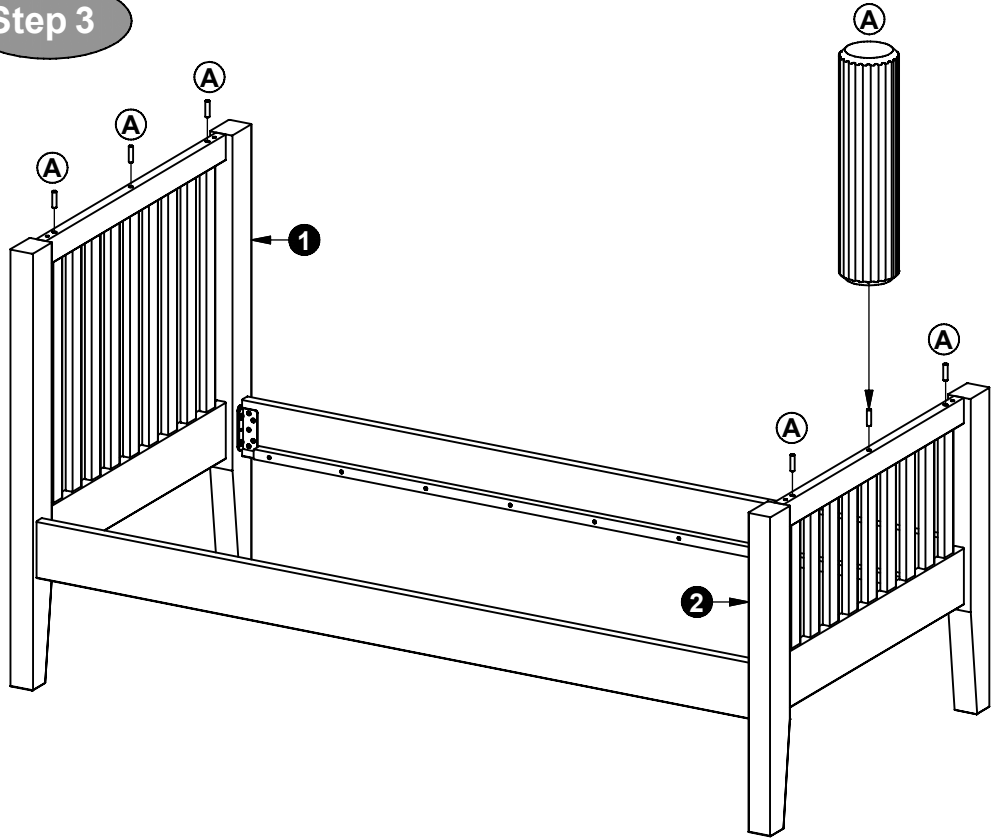


Assembly



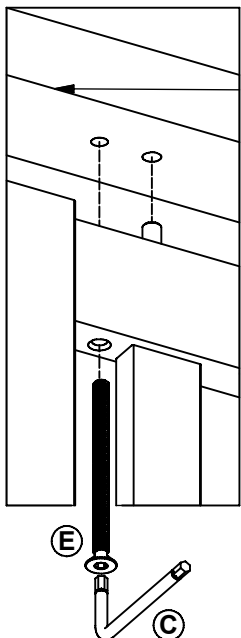
Knock the dowels "A" into the headboard "1" and the footboard "2" as shown.

Step 3

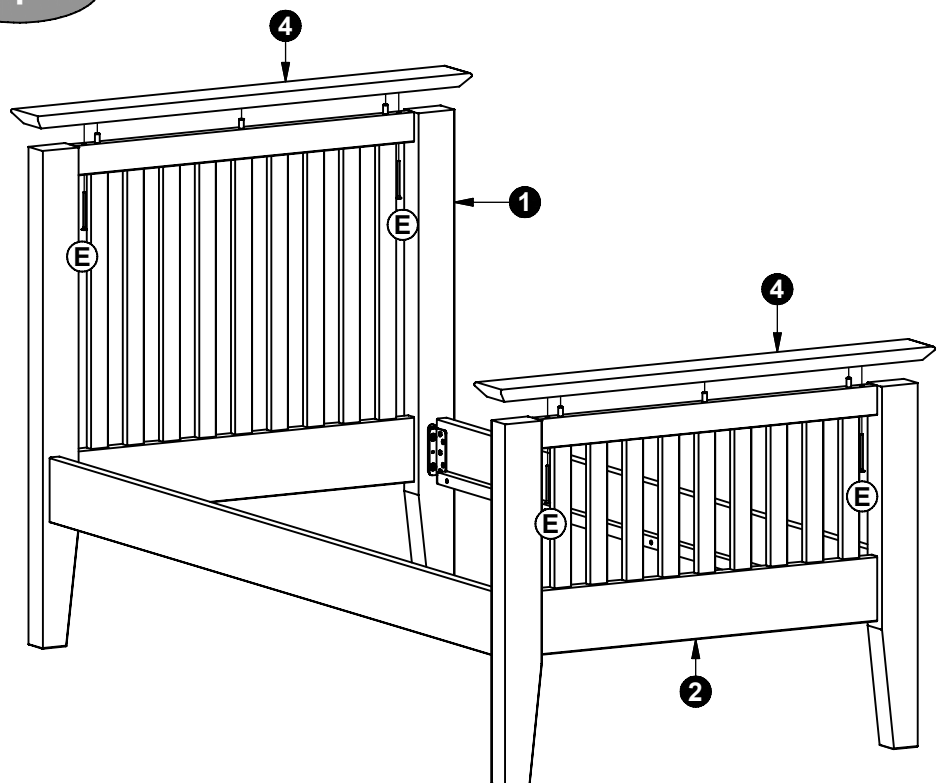


Press the top rails "4" onto the headboard "1" and the footboard "2".

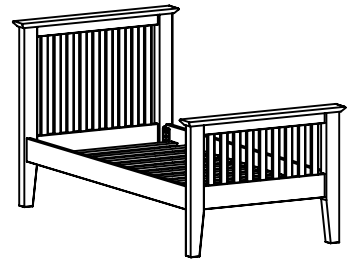
Fix them using the screws "E" and the allen key "C".



Step 4



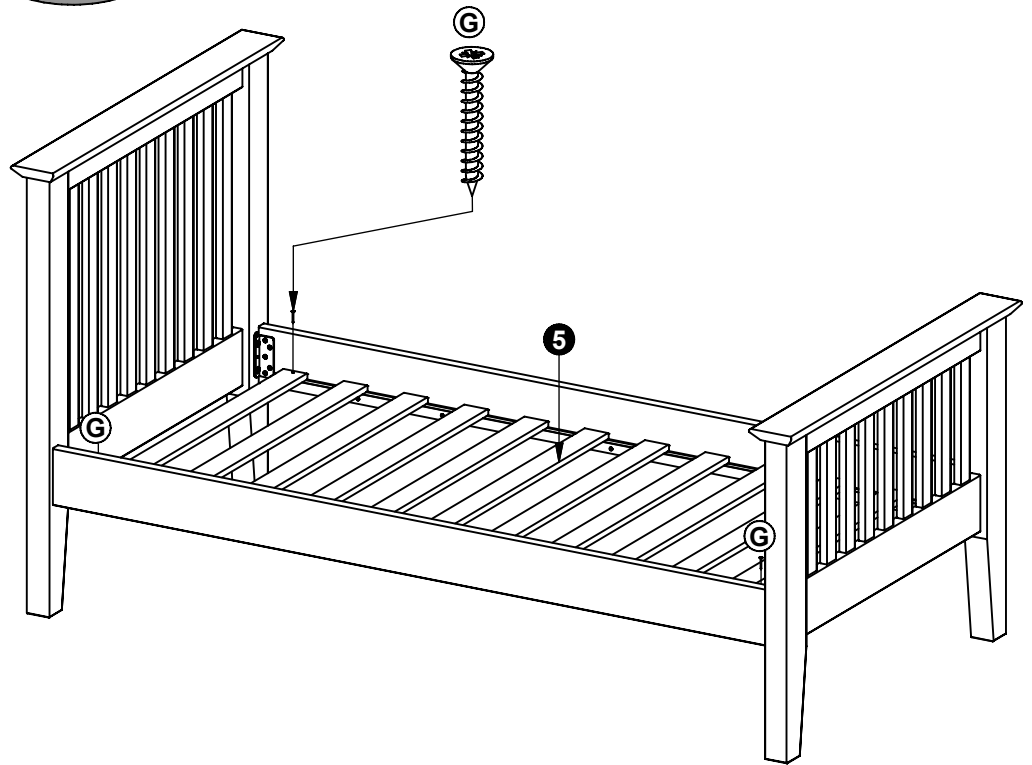
Assembly



Place the slats "5" onto the slatholders.

Fix the slats at both ends using screws "G".

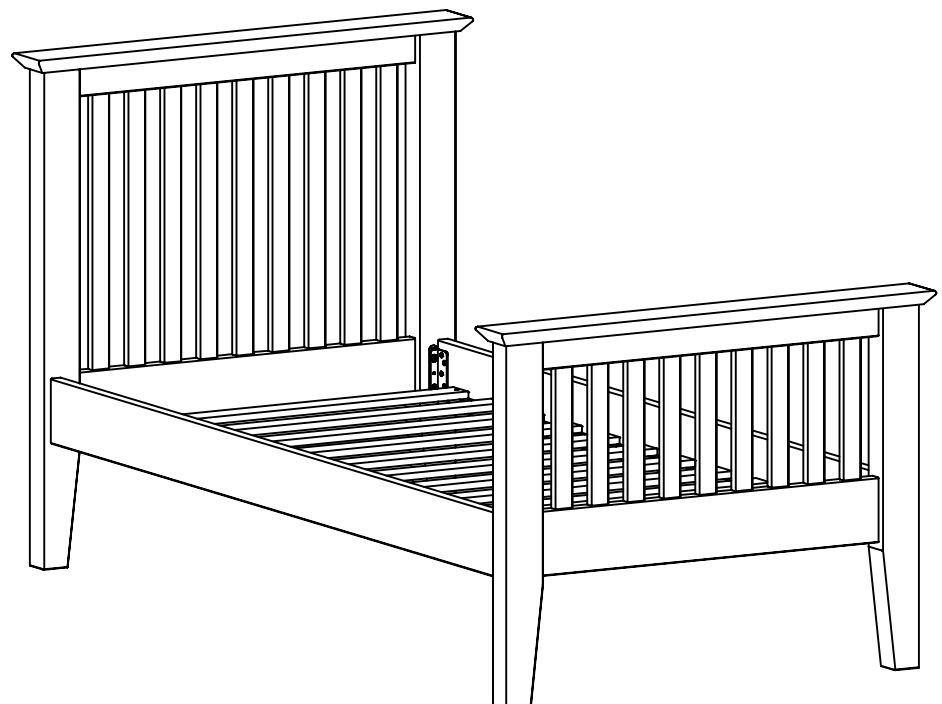
Step 5



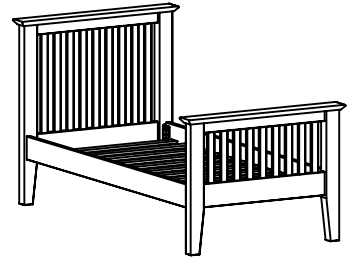
Tighten all bolts and screws to make sure the bed is fully assembled.

We recommend a periodic check to make sure they remain fully tightened.

Step 6



Dear customer.



Please note that the product you have purchased is a natural living timber.

Just like nature itself, wood varies in shape and colour. Knots, vein patterns, resin pockets and colour differences contribute to giving the piece of furniture its beauty and form - a natural part of solid wood.

Although the tree has been cut down and dried, it is still alive and therefore will react to high and low temperatures, light, humidity, drought and time.

In cold and dry periods, the wood contracts which may lead to small cracks in the piece of furniture. The reverse happens in warm and humid periods where the wood expands and this may result in slight unevenness.

The colour of the wood also changes with time, particularly if the furniture is placed in a light place. This is a natural process and part of owning a piece of furniture made of solid wood.

Any flexing that has occurred during transport will re-correct it self once this product is correctly assembled.

Tighten all joints of the furniture after six months. Please keep these instructions in a safe place for future use.